



## Filters

Size 1

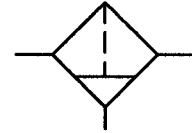
**VF 22**

**VF 23**

G 1/4

G 3/8

40 µm



## Characteristics

Type	VF 22	VF 23
Connection	G 1/4	G 3/8
Type of construction	Centrifugal-principle filter Sintered filter element (polyethylene)	
Input pressure $p_1$	max. 16 bar with plastic tank max. 20 bar with metal tank	
Input pressure $p_1$ with <b>automatic</b> draining	<b>max. 16 bar</b> <b>min. 1.5 bar</b>	
Mounting position	Vertical, drain plug at bottom	
Mounting type	Bracket	
Medium temperature Ambient temperature	max. 50°C	
Medium temperature ( <b>metal</b> ) Ambient temperature ( <b>metal</b> )	max. 80°C	
Pore diameter in the filter element	40 µm	
Tank capacity	max. 25 cm <sup>3</sup> condensate	
Condensate draining	Manual, fully automatic	
Weight [g]	310	

## Ordering information

Type	Connection	Variants
<b>VF</b>	<b>2X</b>	<b>X</b>

Connection	
<b>X = 2</b>	G 1/4
<b>X = 3</b>	G 3/8
Variants	
<b>X = S</b>	Bowl guard
<b>X = M</b>	Metal bowl
<b>Order example: VF 22 M</b>	
Please use the suffix »A« to order automatic draining	
Description	
<ul style="list-style-type: none"> <li>- Block design</li> <li>- <b>Flow direction</b> indicated by <b>arrows</b> on front plate</li> </ul>	

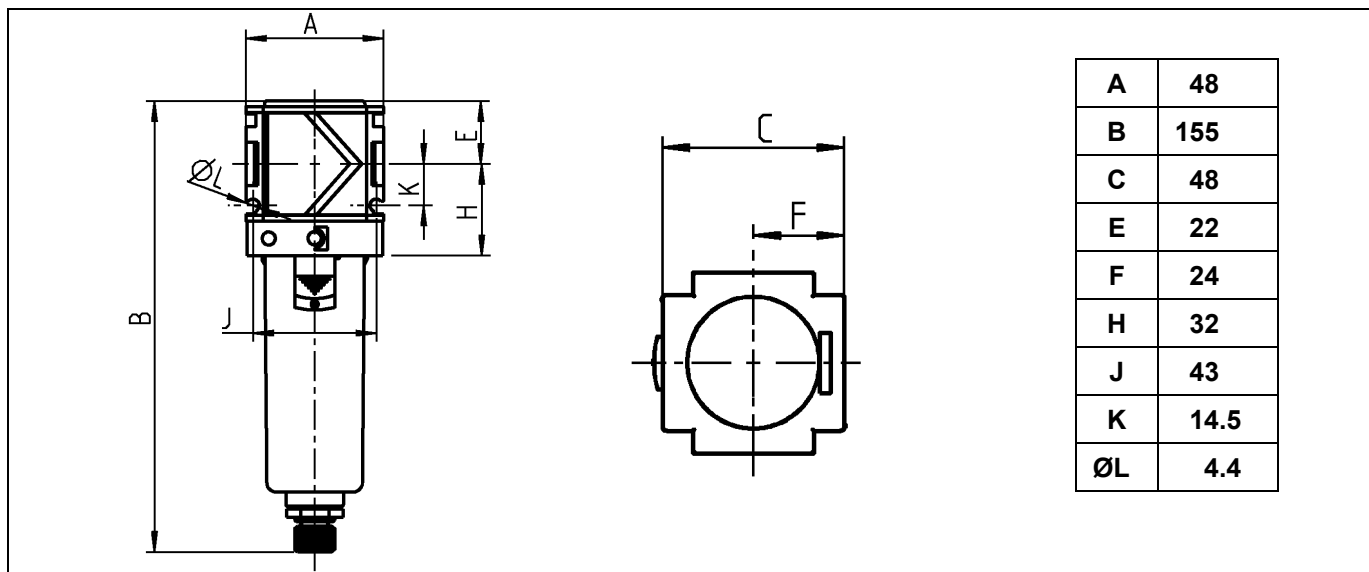
## Materials

Part	Material
Head piece (housing)	Z 410
O-ring	NBR
Filter element 40 µm	PE (sintered)
Condensate tank	Polycarbonate
Swirl plate	PA
Disconnecting cap	PA
Front plates	ABS

## Accessories

Fixing bracket	<b>VZ 718</b>
Plastic tank	<b>VZ 501</b>
Plastic tank with <b>automatic</b> drain valve	<b>VZ 511</b>
Metal tank	<b>VZ 551</b>
Metal tank with <b>automatic</b> drain valve	<b>VZ 561</b>
Automatic drain valve	<b>655.6.90</b>

Dimensions [mm]



VF 22

VF 23

Main spare parts

Part	Part No.
Filter element 40 µm	VZ 741
Special unit	
- Filter element 5 µm	VZ 741/5

Main spare parts

Part	Part No.
Filter element 40 µm	VZ 741
Special unit	
- Filter element 5 µm	VZ 741/5

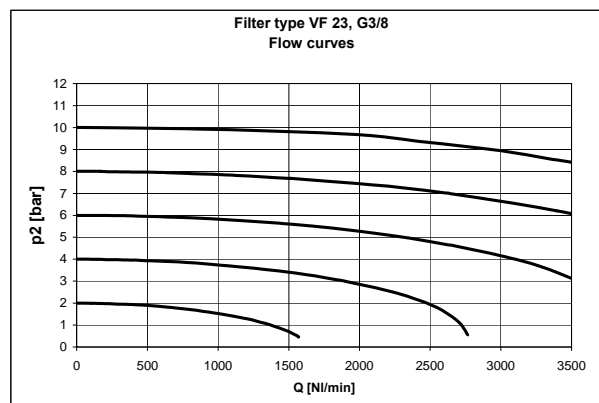
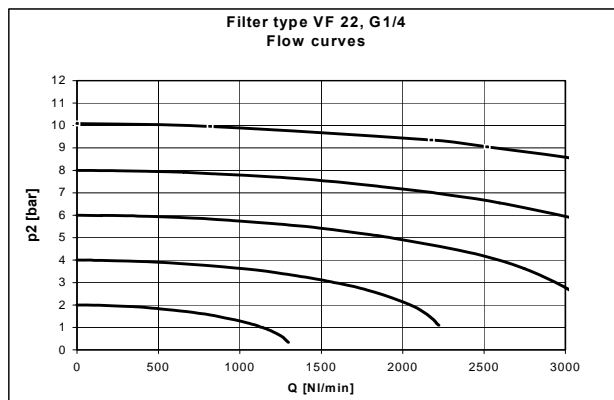
Flow rates

Output pressure p <sub>2</sub>		6	
Nominal flow*	QN [m <sup>3</sup> /h] [l/min]	1800	

Flow rates

Output pressure p <sub>2</sub>		6	
Nominal flow*	QN [m <sup>3</sup> /h] [l/min]	2000	

\* Measured at 6 bar input pressure p<sub>1</sub> and pressure drop Δ 1 bar



Interlocking / mounting

**Variobloc**

**Size 1 G 1/4**

Fixing bracket and fixing nut	630/1-B
Fixing bracket and two screws	VZ 718
Compact connecting set	VZ 101
Compact conn. set, incl. tee holder	VZ 201
Comfort connecting set	VZ 401

**Size 1 G 3/8**

Fixing bracket and fixing nut	630/1-B
Fixing bracket and two screws	VZ 718
Compact connecting set	VZ 102
Compact conn. set, incl. tee holder	VZ 202
Comfort connecting set	VZ 402

**Size 2 G 1/2**

Fixing bracket and fixing nut	
Fixing bracket and two screws	
Compact connecting set	
Compact conn. set, incl. tee holder	
Comfort connecting set	

**Size 2 G 3/4**

Fixing bracket and fixing nut	
Fixing bracket and two screws	
Compact connecting set	
Compact conn. set, incl. tee holder	
Comfort connecting set	

