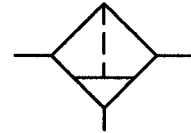



Filter

Size 0

640.106
G 1/8

640.107
G 1/4

 40 µm
8 µm

Characteristics

Type	640.106	640.107	
Port	G 1/8	G 1/4	
Type of construction	Centrifugal filter Sintered filter element Special versions on request		
Input pressure p_1	Max. 16 bar with plastic bowl Max. 25 bar with metal bowl		
Input pressure p_1 with automatic drain	Max. 10 bar Min. 1.5 bar		
Mounting position	Vertical, drain plug at bottom		
Mounting type	In-line		
Medium temperature	-10 °C to 60 °C (other temperature		
Ambient temperature	-10 °C to 60 °C ranges on request)		
Filter rating	40 µm, 8 µm on request		
Bowl capacity	Max. 16 cm ³ condensate		
Condensate drain			
- Plastic bowl	Semi-automatic (standard)		
- Metal bowl	Fully automatic (KS 11 F-A) Manual, fully automatic		
Weight [g]	150		

Materials

Part	Material
Head piece (body)	Z 410
O-ring 30 x 2	NBR
Filter element 40 µm	Polyethylene (sintered)
Condensate bowl	Polycarbonate
Air deflector	ABS
Filter holder	PA

Ordering information

Type Port Options

640.10X X
Order example: 640.107 K-HA

Port	
106	G 1/8
107	G 1/4
Options	
K-HA	Plastic bowl
M	Metal bowl

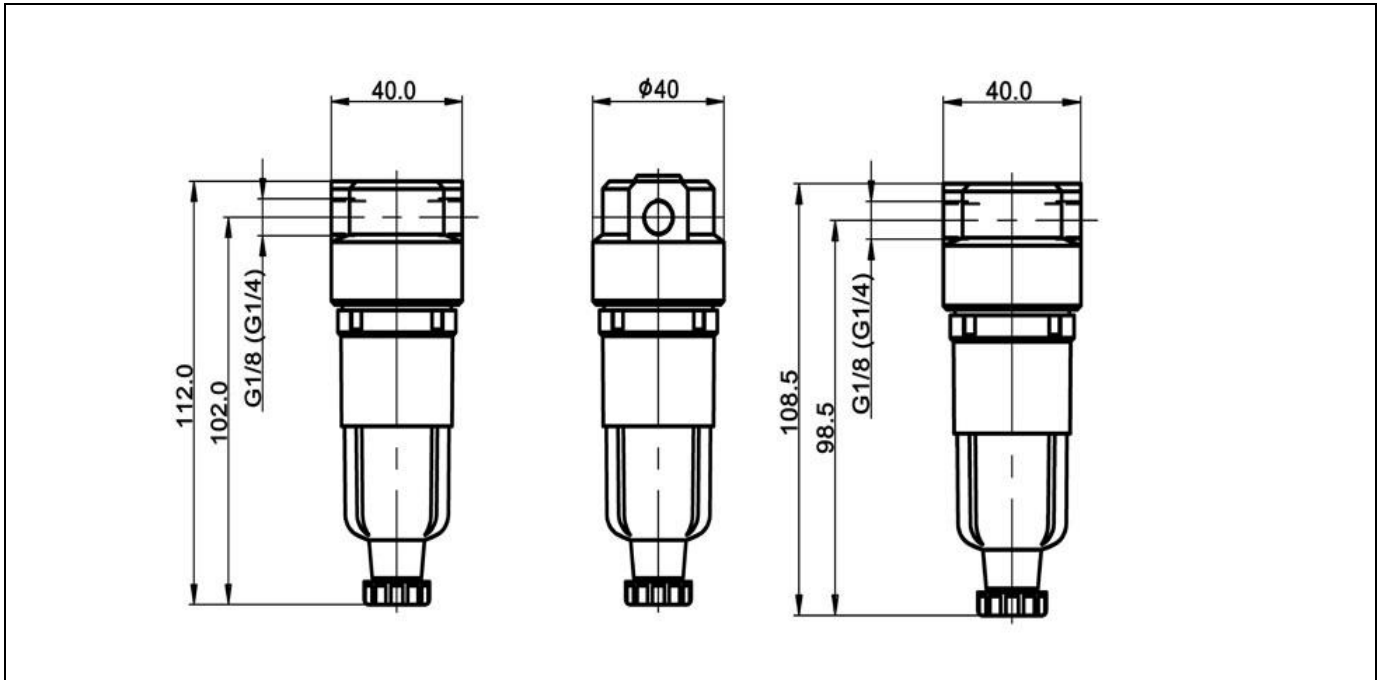
 Please use the suffix **A**« to order
automatic drain

Description

- Standard design
- Flow direction indicated by arrows
- **Entry in direction of arrow**
- Filter rating acc. to ISO 4003, glass bead test
- Semi-automatic drain valve (standard)

Accessories

Designation	Order No.
Filter element 40 µm 5 µm	640.6.940 611.6.905
Plastic bowl	640/1
Metal bowl	640/11
Automatic drain	KS 11 F-A
Automatic drain	655.6.900

Dimensions [mm]

Flow rates

Output pressure p_2		6
Nominal flow ($\Delta p = 1$ bar)	QN m^3/h l/min	48 800

Flow characteristic
