

3/2-way foot valve

3/2- and 5/2-way

PLUS

Art. No. 106665

Type No. 513.103



Exemplary illustration

Foot-operated valves, 3/2- and 5/2-way types, bistable or monostable (non-latching).

Technical data

Operating pressure	2.5 - 10 bar
Temperature range	-10 to 60 °C
Medium	Filtered compressed air with or without lubrication. If lubricated, then continuous.
Flow rate measurement 1	Flow rate at 6.3 bar and Δp 0.5 bar
Flow rate 1	60 NI/min
Flow rate measurement 2	Flow rate at 6.3 bar and Δp 1.0 bar
Flow rate 2	95 NI/min
Connection	4 mm
Symbol	20
Series	Valves series PEV

Commercial data

Customs tariff number	84818079
Country of origin	IT
eCl@ss 5.1.4	27291801
eCl@ss 9.0	27291390
UNSPSC_Code_v190501	40141603
UNSPSC_CodeDesc_v190501	Pneumatic valves

B1

VALVES SERIES PEV PEDAL OPERATED

The valves series PEV with pedal are available in a wide range:

- 5/2 1/4" monostable and bistable with guarded pedal
- 3/2 M5 monostable, pedal not guarded
- 3/2 Ø 4 monostable, pedal not guarded
- 3/2 M5 in monostable and bistable configuration with guarded pedal
- 3/2 Ø 4 in monostable and bistable configuration with guarded pedal



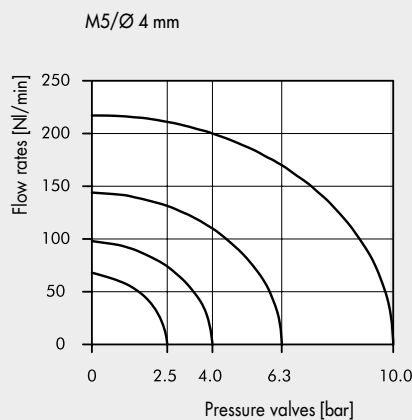
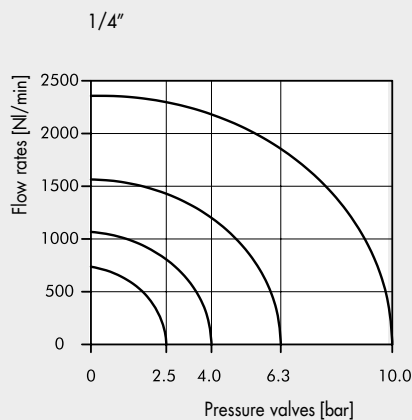
VALVES

VALVES SERIES PEV PEDAL OPERATED

TECHNICAL DATA

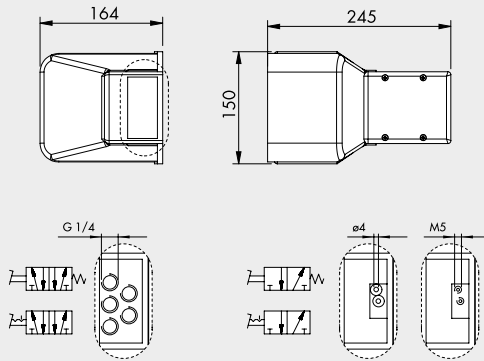
		Ø 4	M5	1/4"
Valve fitting port	Type	Mono/ bistable guarded Monostable not guarded	Monostable not guarded Mono/ bistable guarded	Mono/ bistable guarded -
Operating pressure	bar		2.5 to 10	
	Mpa		0.25 to 1	
	psi		36 to 145	
Operating temperature range	°C		-10 + 60	
Nominal diameter	mm	2.5	2.5	7.5
Conductance C	Nl/min · bar	16.5	16.5	264.26
Critical ratio b	bar/bar	0.03	0.03	0.32
Flow rate at 6.3 bar ΔP 0.5 bar	Nl/min	60	60	640
Flow rate at 6.3 bar ΔP 1 bar	Nl/min	95	95	840
Fluid		Filtered air without lubrication; lubrication, if used, must be continuous		
Compatibility with oils		See chapter Z1		

FLOW CHARTS



B1.8

GUARDED PEDAL WITH VALVES 5/2 1/4" - 3/2 M5 - 3/2 Ø 4

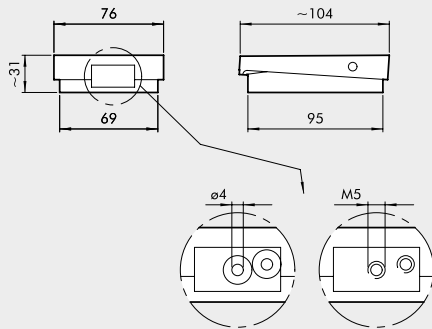


Symbol	Code	Description	Abbrev.	Weight [g]
	W312000001	5/2 - 1/4" monostable, guarded	PEV 35 PES PR	1027
	W312000011	5/2 - 1/4" bistable, guarded	PEV 35 PEB PR	1035
	W3120000301	3/2 M5 monostable, guarded	PEV 03 PES PR	883
	W3120000321	3/2 Ø 4 monostable, guarded	PEV F3 PES PR	887
	W3120000331	3/2 M5 bistable, guarded	PEV 03 PEB PR	890
	W3120000311	3/2 Ø 4 bistable, guarded	PEV F3 PEB PR	914
	W312000021	5/2 - 1/4" monostable with mechanical block and guard	PEV 35 PEC PR	1014

● The pedal-down position is maintained by a lever.
 When the foot presses on the lever, the pedal releases and can rise.
 ■ When the foot presses on a locking lever, the pedal can be lowered.

VALVES

NOT-GUARDED PEDAL WITH VALVES 3/2 M5 - 3/2 Ø 4



Symbol	Code	Description	Abbrev.	Weight [g]
	W3120000411	3/2 - M5 monostable, not guarded	PEV 03 PES WP	188
	W3120000401	3/2 Ø 4 monostable, not guarded	PEV F3 PES WP	192

VALVES SERIES PEV PEDAL OPERATED

SYNOPTIC, SIZES AND VERSIONS

PEV FAMILY	F DIMENSIONS	3 FUNCTION	PE OPERATORS 14	C RESETTING (12)	WP FURTHER DETAILS
PEV valve with pedal	3 1/4 0 M5 F Ø 4	3 3/2 5 5/2	PE pedal operated	S mechanical springs C mechanical block B bistable	WP not guarded PR guarded