

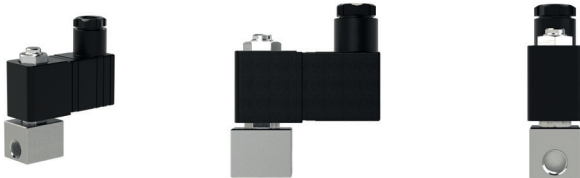
2/2-way solenoid valve

Stainless steel, professional standard series

PLUS

Art. No. 146066

Type No. MVA.18.ES.24D.F.RD.2,5



Exemplary illustration

In many areas, such as plant engineering, process technology or filling technology, solenoid valves are an optimum solution for control and regulation of fluids.

With this professional standard series, RIEGLER offers fluid valves designed in Germany and produced in Europe. A consistently managed modular system guarantees a broad spectrum of possible valve forms in regards to sealing materials or valve bodies. If you cannot find your required specification in our standard products, please contact us.

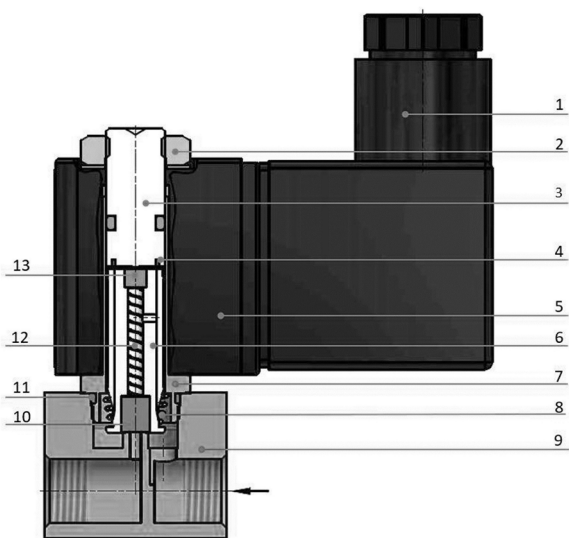
Technical data

| | |
|-----------------------|--|
| Housing | Stainless steel |
| Valve seat | Stainless steel |
| Internal parts | Stainless steel |
| Protection IP | IP65 (with connector socket fitted) |
| Function | normally closed (NC) |
| Thread | G 1/8 |
| DN | 2.5 |
| Voltage | 24 V DC |
| Operating pressure | 0 - 14 bar |
| Electrical connection | Connector socket, industry standard type B - EN 175301-803-B |
| Medium temperature | -15 to 100 °C |
| Ambient temperature | -20 to 55 °C |
| Mounting position | Solenoid preferably in upright position |
| Voltage tolerance | ± 10% acc. VDE 0580 |
| Power input | 6.5W |
| Duty cycle | 100 % |

Commercial data

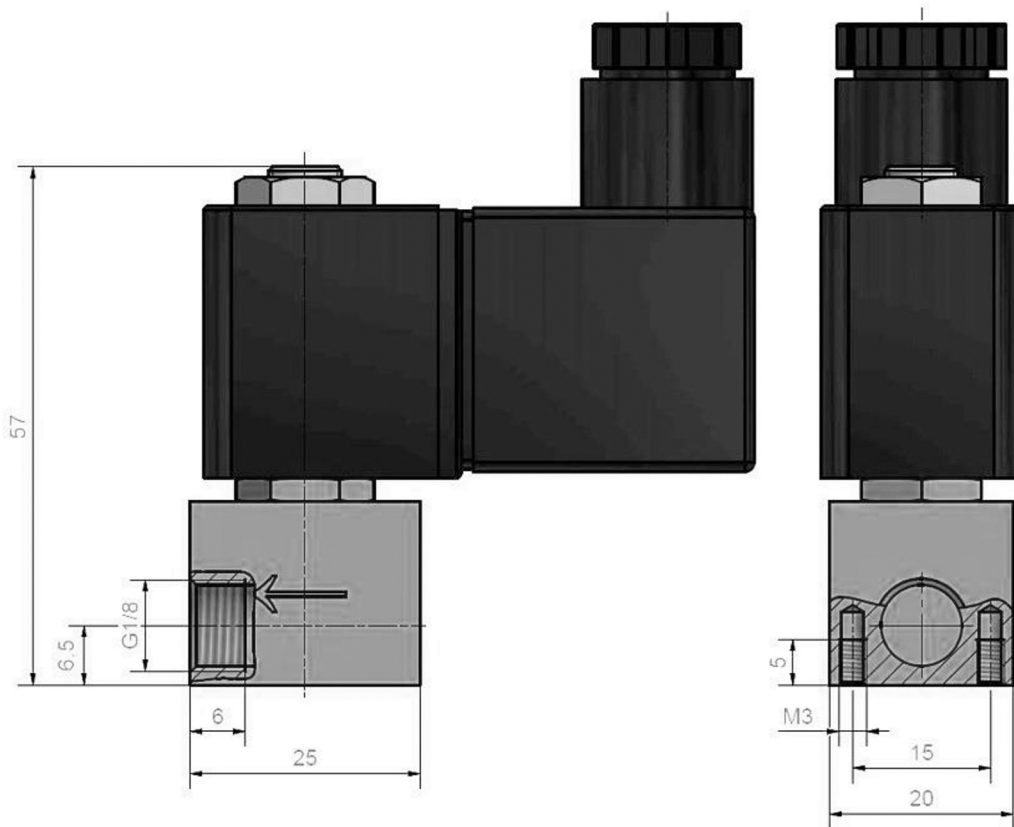
| | |
|-------------------------|-----------------|
| Customs tariff number | 84818073 |
| Country of origin | CN |
| eCl@ss 5.1.4 | 27220601 |
| eCl@ss 9.0 | 27220601 |
| UNSPSC_Code_v190501 | 40141605 |
| UNSPSC_CodeDesc_v190501 | Solenoid valves |

Materials



| Nr. | Part | Material |
|-----|--------------------|------------------|
| 1 | Connector socket | Plastic cover |
| 2 | Nut | Galvanised steel |
| 3 | Pole core | Stainless steel |
| 4 | Short circuit ring | |
| 5 | Solenoid | Plastic cover |
| 6 | Plunger | Stainless steel |
| 7 | Guide tube | Stainless steel |
| 8 | Spring | Stainless steel |
| 9 | Valve body | Stainless steel |
| 10 | Sealing plug seat | FPM/NBR/EPDM |
| 11 | O-Ring | FPM/NBR/EPDM |
| 12 | Spring | Stainless steel |
| 13 | Plug | FPM/NBR/EPDM |

Dimensions



Thread

G 1/8