

2/2-way solenoid valve

Stainless steel, professional standard series

PLUS

Art. No. 146078

Type No. MVA.34.ES.24D.N.RZ.20



Exemplary illustration

In many areas, such as plant engineering, process technology or filling technology, solenoid valves are an optimum solution for control and regulation of fluids.

With this professional standard series, RIEGLER offers fluid valves designed in Germany and produced in Europe. A consistently managed modular system guarantees a broad spectrum of possible valve forms in regards to sealing materials or valve bodies. If you cannot find your required specification in our standard products, please contact us.

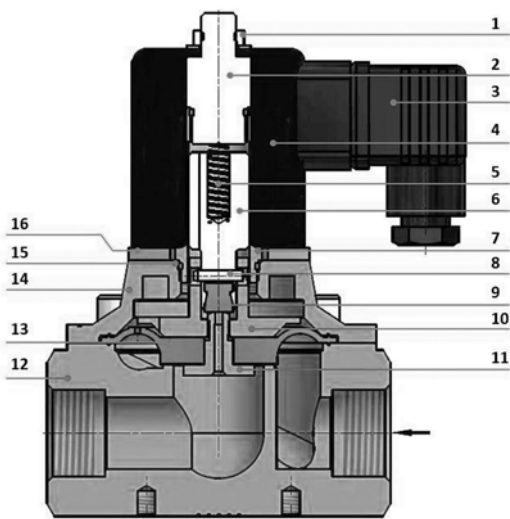
Technical data

Housing	Stainless steel
Valve seat	Stainless steel
Internal parts	Stainless steel
Protection IP	IP65 (with connector socket fitted)
Function	normally closed (NC)
Thread	G 3/4
DN	20
Voltage	24 V DC
Operating pressure	0 - 12 bar
Electrical connection	Connector socket, industry standard type A - EN 175301-803-A
Medium temperature	-10 to 100 °C
Ambient temperature	-10 to 50 °C
Mounting position	Solenoid preferably in upright position
Voltage tolerance	± 10% acc. VDE 0580
Power input	6.5W
Duty cycle	100 %

Commercial data

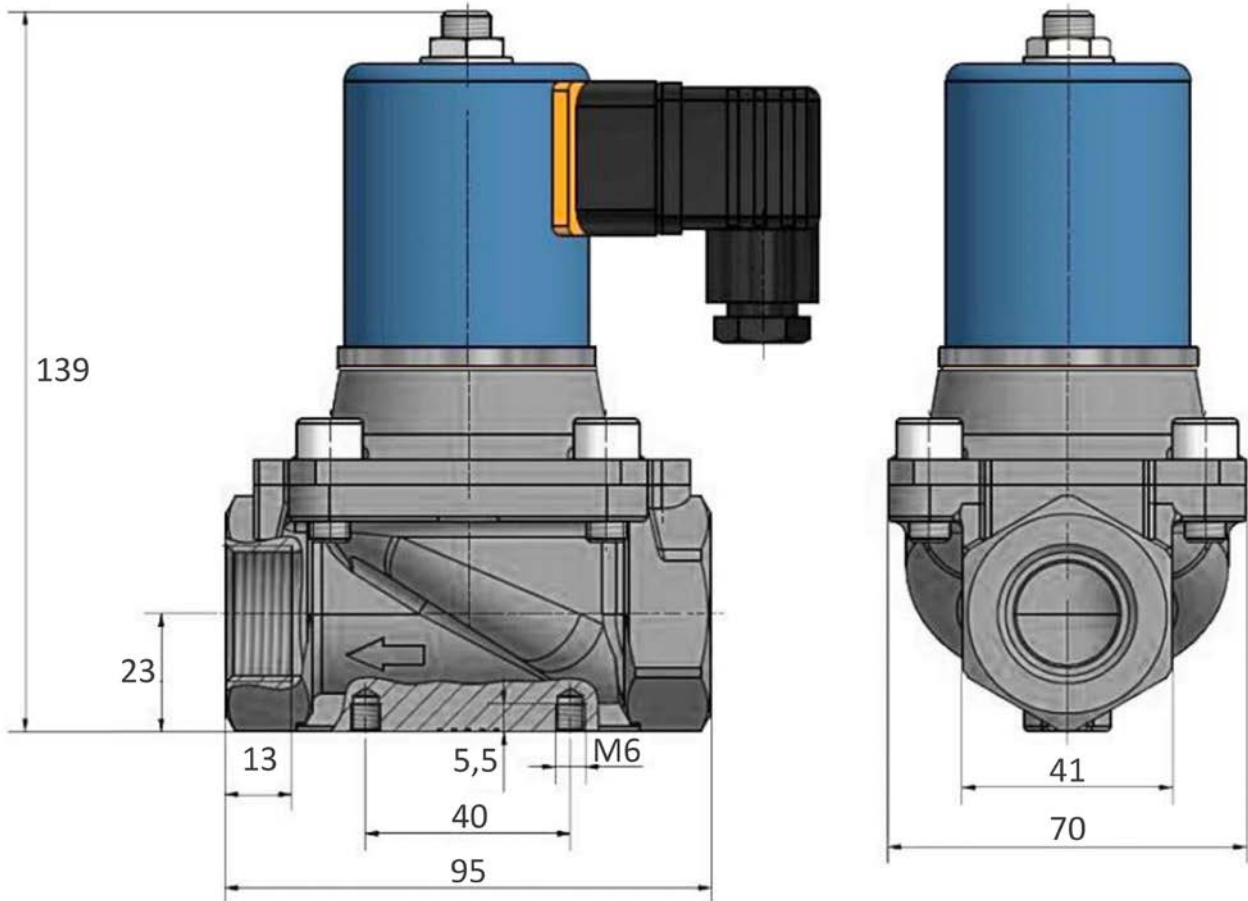
Customs tariff number	84818073
Country of origin	CN
eCl@ss 5.1.4	27220601
eCl@ss 9.0	27220601
UNSPSC_Code_v190501	40141605
UNSPSC_CodeDesc_v190501	Solenoid valves

Materials



Nr.	Part	Material
1	Nut	Galvanised steel
2	Pole core	Stainless steel
3	Connector socket	Plastic cover
4	Solenoid	Powder coated steel
5	Spring	Stainless steel
6	Plunger	Stainless steel
7	Guide tube	Stainless steel
8	Pin	Stainless steel
9	Sealing plug	FPM/NBR/EPDM
10	Seat disc	Stainless steel
11	Nozzle	Stainless steel
12	Valve body	Stainless steel
13	Diaphragm	FPM/NBR/EPDM
14	Flange	Stainless steel
15	O-Ring	FPM/NBR/EPDM
16	Seal	NBR

Dimensions



Thread

G 3/4