

# Pressure regulator

for potable water, DVGW-tested acc. to EN 1567



Art. No. 146321

Type No. DRTWR.G1.5-15B



Exemplary illustration

Diaphragm pressure regulator made of red brass with pressure-reduced single-seated valve and built-in strainer. The regulator protects domestic water installations as well as commercial and industrial systems against excessive supply pressure.

## Technical data

Max. input pressure	40 bar
Operating temperature	-20 to 95 °C
Operating temperature max. drinking water	80 °C
Control range	5 - 15 bar
Thread	G 1 IT
DN	25
a/f	43 mm
Flow rate kvs value	6.7 m <sup>3</sup> /h
Medium	potable water, nitrogen, argon, neutral and non-adhesive liquids, compressed air and neutral gases
Housing	red brass (CC499K)
Internal parts	red brass (CC499K) and stainless steel (1.4404)
Pressure setting	adjusting screw
Pressure spring	spring steel, rust-protected
Screen	stainless steel
Mesh size strainer	0.60 mm
A	105.0 mm
C	45.0 mm
D	130.0 mm

Size R 2 and other control range available on request.

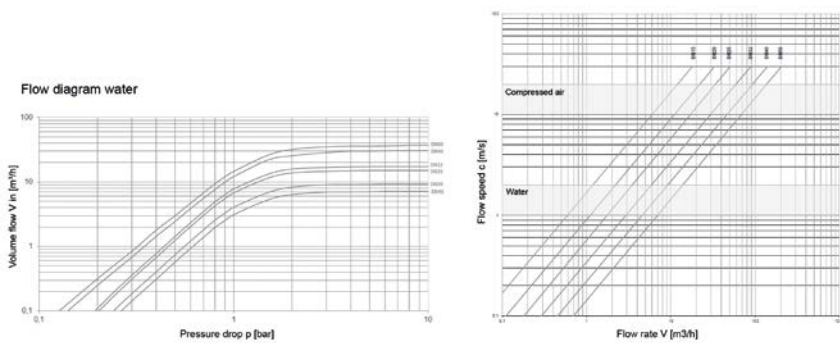
The following approvals are available on request:

- DIN-DVGW type examination (up to 80 °C)
- ACS approval
- WRAS approval (up to 85 °C)
- SINTEF approval
- PZH approval

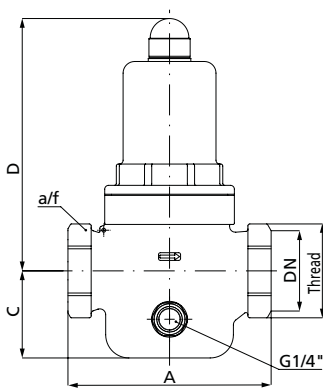
## Commercial data

Customs tariff number	84811099
Country of origin	DE
eCl@ss 5.1.4	37011108
eCl@ss 9.0	37011108
UNSPSC_Code_v190501	41112404
UNSPSC_CodeDesc_v190501	Pressure regulator

## Flow chart



## Dimensions



Thread	A	C	D	a/f	DN
	mm	mm	mm	mm	
G 1 IT	105.0	45.0	130.0	43	25

## Application examples

Use of pressure reducers if a certain pressure must not be exceeded on the outlet side of the pipe network despite different pressures on the inlet side

- potable water supply in accordance with DIN 1988
- service water supply in industrial and building technology
- snowmaking systems
- fire extinguishing technology and sprinkler systems
- shipbuilding and offshore systems

## Spareparts

	<b>Art. No.</b>	<b>Type No.</b>
Valve insert for G 1 and R 1 1/4	146313	VEDRTWR.G1.R114
Pressure gauge Ø 63 mm, G 1/4 ET, 0 - 16 bar/230 psi	101398	218-KD