

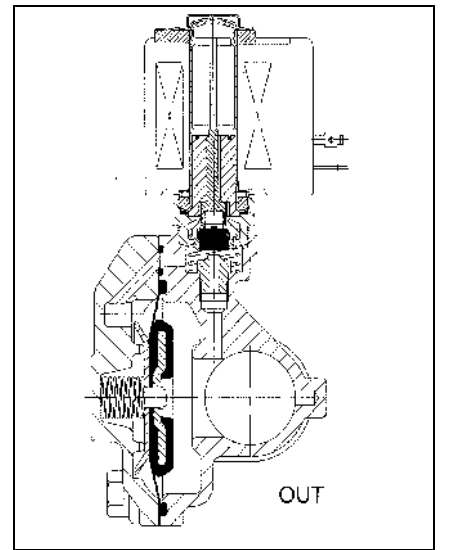


**Normally open**  
**Pilot-controlled diaphragms**

**Rp 1**

---

**MV 2219 - MV 2239**



**Description**

- Shut-off valve for controlling air, inert gas, water, light oil and other media according to the sealants that are used.
- The solenoid valves are designed for operation at a minimum UP of **0.35 bar**.
- The high-quality materials which are used for the valves and a series of extensive tests guarantee a long service life.
- The solenoid valves are in line with international standards.

**General**

<b>Pressure difference</b>	0.35 to 9 bar [1 bar = 100 kPa]
<b>Permissible static pressure</b>	18 bar
<b>Maximum viscosity</b>	65 cSt (mm <sup>2</sup> /s)
<b>Response time</b>	15 to 120 ms

Medium	Temperature range (1)	Sealant	Order No.	
			NBR	FPM
Air, gas, water, light oil	-20 to +85 °C -10 to +130 °C	NBR FPM	<b>MV 2219</b> <b>MV 2220</b> <b>MV 2221</b>	<b>MV 2239</b> On request On request

(1) At temperatures below zero the medium may freeze and damage the valve.

**Electrical data**

**Voltages (2)**      DC (=)    24 V - 12 V    Please use the suffix »G« to order DC valves  
                                  AC (~)    24 V/50 Hz - 110 V/50 Hz - 230 V/50 Hz

(2) Other voltages and 60 Hz frequency on request

Coil type	Power				Ambient temperature (1)	Degree of protection (with connector socket fitted)
	Pickup ~ (VA)	Holding ~ (W)		Hot/cold = (W)		
		(VA)	(W)			
CM12-FT	110.0	23.6	15.4	12 / 16.8	-20 to +75	IP 65

**Characteristics**

Con- nec- tion	Nom. width	Flow coefficient (Cv)		Working pressure difference (bar)				Coil type	Order No.		
				min.	max.		Please use the suffix »G« order DC (=)		NBR	FPM	
					Air/gas	Water/oil<65cSt					
(Rp)	(mm)	(m <sup>3</sup> /h)	(l/min)	~	=	~	=	~	=		
1	25	11.1	185	0.35	9	9	9	9	CM12-FT	MV 2219	MV 2239
1¼	28	12.8	213	0.35	9	9	9	9	CM12-FT	MV 2220	On request
1½	32	19.3	321	0.35	9	9	9	9	CM12-FT	MV 2221	On request

**Design features**

	MV 2219	MV 2239
Body	Brass	Brass
Guide pipe	Stainless steel	Stainless steel
Armature of magnet and counter-armature	Stainless steel	Stainless steel
Springs	Stainless steel	Stainless steel
Valve seat	Brass	Brass
Seals	NBR	FPM
Diaphragms and valve disc	NBR	FPM
Disc mount	PA (nylon)	PA (nylon)
End ring	Copper	Copper
Insulation class (coil)	F	F
Electrical connection	ISO 4400; connector socket (PG 11P)	ISO 4400; connector socket (PG 11P)
Electrical design	IEC 335	IEC 335

**Main spare parts**

Order No.	Spare parts set	Diaphragms
MV 2219	302338	166838-027
MV 2219 G	302452	166838-027
MV 2220	302338	166838-027
MV 2220 G	302453	166838-027
MV 2221	302341	166838-029
MV 2221 G	302341	166838-029
MV 2239	302338 V	166838-031
MV 2239 G	302452 V	166838-031
MV 2240	302338 V	166838-040
MV 2240 G	202453 V	166838-040
MV 2241	302341 V	166838-030
MV 2241 G	302341 V	166838-030

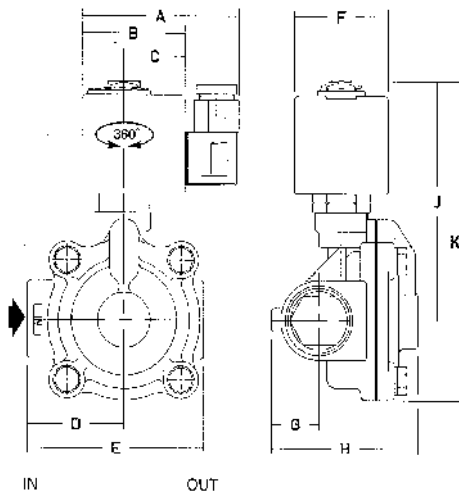
**Coils**

Order No.	Coils				Insulation class	Max. perm. operating temperature °C	Max. perm. temperature rise °C*	Max. perm. ambient temperature °C**
	~ (2)	V	= (3)	V				
MV 2219 MV 2239 MV 2220 MV 2240 MV 2221 MV 2241	400525-101 400525-107 400525-117	24 110 230	400625-141 400625-142	24	FT	155	80	75

(2) Other voltages and 60 Hz frequency on request  
 (3) Please use the suffix »G« to order DC valves

\* Coil temperature after energising  
 \*\*Additional effect of the medium temperature within the valve range stated in the catalogue

**Dimensions [mm], weights [g]**



Order No. »MV«	2219 2239	2220	2221	2219 G 2239 G	2220 G	2221 G
A	86	86	86	86	86	86
B	56	56	56	56	56	56
C	33	33	33	33	33	33
D	52	52	56	52	52	56
E	95	95	111	95	95	111
F	50	50	50	50	50	50
G	25	30	33	25	30	33
H	75	85	95	75	85	95
J	125	125	128	125	125	128
K	165	165	178	165	165	178
<b>Weight (4)</b>	2000	2000	2500	2000	2000	2500

(4) Including coil and connector socket

**Special designs (on request)**

- Seals and valve disc made of EPDM (ethylene-propylene), CR (neoprene)
- Flameproof body in accordance with CENELEC and national standards
- Heavy-duty coil
- Assembly clamp for valves with a brass body
- Manual override
- Connector socket with LED and suppressor circuit

**Installation**

- Any mounting position
- Threaded connections: ISO 7-1
- Other threaded connections on request
- Assembly and servicing instructions enclosed with each valve
- Spare parts and replacement coils (see above)