



Closed when de-energised

Directly operated piston valve

G 1/8

MV 1311 MV 1321 G
MV 1312

230/50

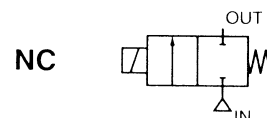
24 =

Max. 18 bar

CE

Features

- Media valve for shutting off gaseous or liquid media that are compatible with the materials used
- The valves do not require a minimum operating pressure
- A **compact design, easy installation** and **short response times** are typical features of this modern valve concept
- Any mounting position
- The high-quality materials used for the valves and extensive testing guarantee a long service life



Usage

Compact solenoid valve for use in industrial automation and thermodynamics.

Applications

Art. No. – Ident No.	Medium (2)	Seals	Temperature range (1)
MV 1311 - 102883 MV 1312 - 102884 MV 1321 G - 102890	Air, inert gases, water, mineral oils (2°E), benzene, gas oil, heavy oil (5°E)	FPM	Medium temp. -10 °C to 140 °C Ambient temp. -10 °C to 60 °C

(1) At temperatures below zero the medium may freeze and damage the valve

(2) Remember to take account of the resistance and viscosity

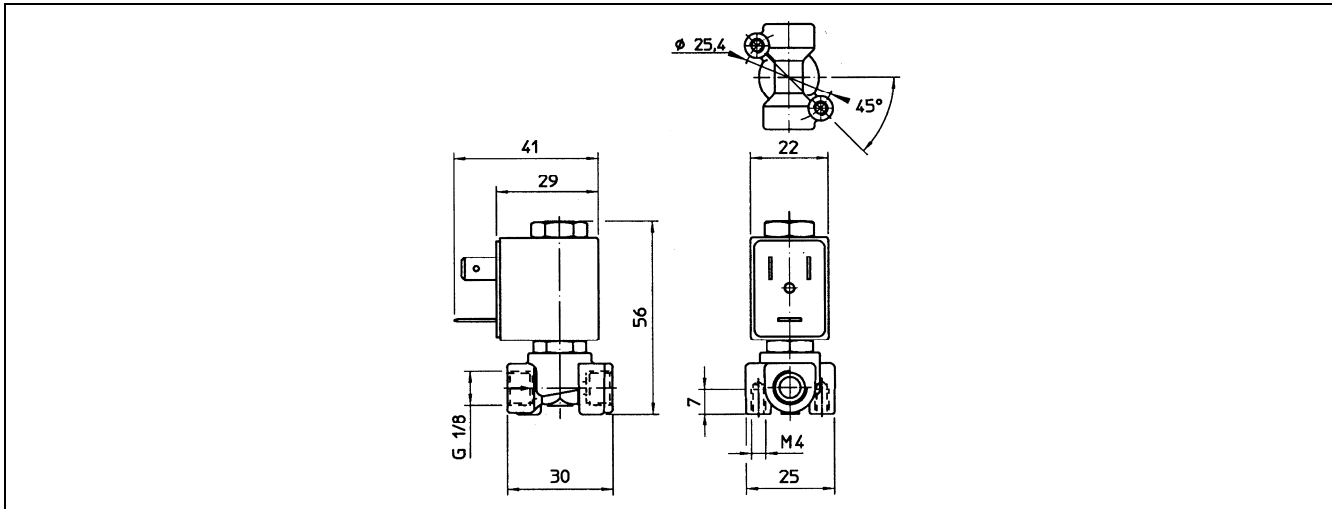
Electrical data

Valve	Magnet	Magnet type	Power			Temperature		Degree of protection (EN 60529)
			~ Pickup	~ Holding	=	(°C)	Class	
MV 1311	400-5230-17	LBA	5	15	11	155	F	IP65
MV 1312	400-2230-17		2.5	7	4			
MV 1321 G	400-5024-42				5			

Characteristics

Port DIN EN ISO 228-1	Nominal diameter	Valve	Kv (l/min)	Operating pressure difference (bar)		Max permissible viscosity		
				Min.	Max.	cSt	°E	
G	(mm)	Art. No.	(l/min)					
1/8	2.3	MV 1311	2.3	0	~	=	37	~5
		MV 1312			18			
		MV 1321 G			10	8		

Dimensions [mm]



Design features

Part	Material
Body	Brass 58
Armature tube	Stainless steel AISI Series 300
Stationary armature	Stainless steel AISI Series 400
Moving armature	Stainless steel AISI Series 400
Phase displacement ring	Copper
Spring	Stainless steel AISI Series 300
Seal	Standard: FPM; Code V On request: NBR, Code B
Seat	Brass 58
Plug connector	PG 9 or PG 11
Connector conformity	ISO 4400
Electrical conformity	IEC 335
Degree of protection	IP65, EN 60529 (DIN 40050) (with connector fitted)

Magnets

Part No.	Electrical data					
	Power	Voltage		CDF	Approval	Valves
	W	AC	DC	%		
400-2230-17	2.5	230/50		100	CE	
400-2024-17	2.5	24/50				
400-5230-17	5	230/50				
400-5024-01	5	24/50				
400-5024-42	5		24			
400-5012-41	5		12			
400-5110-07	5	110/60			UL	

On request: 60 Hz / class H with "UL" conformity

Spare parts

Solenoid valve	Kit	Diaphragm
MV 1311 MV 1312 MV 1321 G	KT100ROV25-FJ	--

Installation

- Any mounting position
- Valve bodies have two mounting holes
- Screw connections: G (DIN EN ISO 228-1)
- Other screw connections on request
- Installation and maintenance instructions enclosed with each valve
- Spare parts and replacement solenoids (see above)

Special designs (on request)

- Cable socket with LED