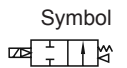




»Brass type

MV 1561–MV 1573



Product features

- Media valve for shutting off gaseous or liquid media that are compatible with the materials used.
- The valves require a minimum working pressure.
- A compact design, easy installation and short response times are typical features of this modern valve concept.
- Any mounting position.
- The high-quality materials used for the valves and extensive testing guarantee a long service life.

Valve's specification

Acting	Internally piloted				
Initial status	Normally opened				
Adaptable fluid	Air, Water, Oil				
Viscosity limit	Under 20 CST (mm ² /s)				
Ambient and fluid temperature (°C)		Water	Air	Oil	Ambient
	Max.	80	90	80	70
	Min.	1	-20 ¹⁾	-10 ²⁾	-20

¹⁾Dew point: -20 (°C) or less;
²⁾50 CST or less.

Specifications / Technical data

Art. No.	Power type	Port size	Nominal width (mm)	Cv	Weight (g)	Operating pressure difference		Proof pressure	
						bar	psi	bar	psi
MV 1561	230 V AC, 50 Hz	1/2"	15.0	5.5	730	Max. 7 Min. 0.5	Max. 100 Min. 10	15	220
MV 1562		3/4"	20.0	9.5	960				
MV 1563		1"	25.0	12.5	1210				
MV 1571	24 V DC	1/2"	15.0	5.5	730	Max. 7 Min. 0.5	Max. 100 Min. 10	15	220
MV 1572		3/4"	20.0	9.5	960				
MV 1573		1"	25.0	12.5	1210				

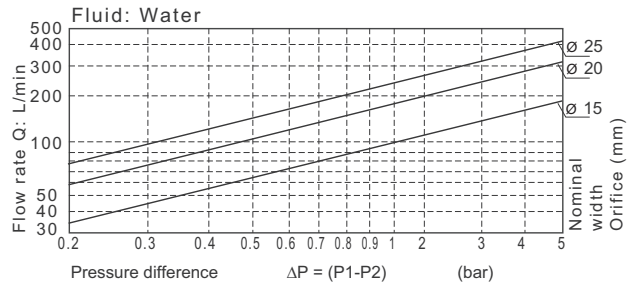
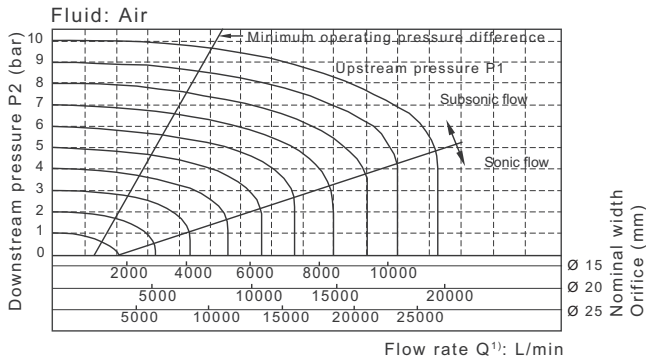
Ordering information

Art. No.	Type
MV 1561–MV 1563	Normally open, (NO), pilot-operated, 230 V, 50 Hz
MV 1571–MV 1573	Normally open, (NO), pilot-operated, 24 V DC

»Brass type

MV 1561–MV 1573

Flow chart

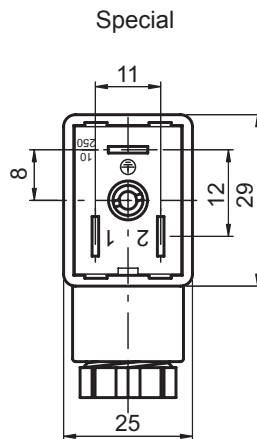


¹⁾ Flow rates are based on standard conditions (temperature 20 °C, ambient pressure 1013 mbar, relative air humidity 65%)

Specification of coil

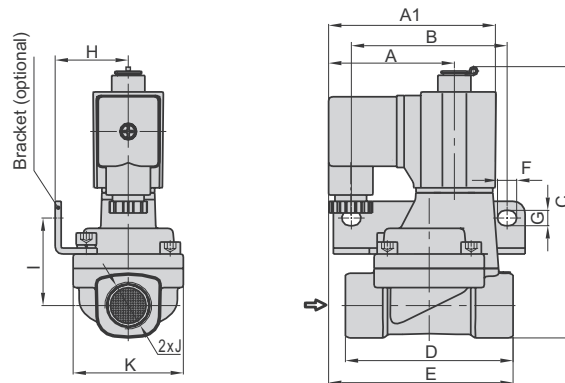
Art. No.	Coil type	Power type ¹⁾	Frequency (Hz) ¹⁾	Voltage range	Electrical entry	Power consumption (VA/W)	Insulation/ protection	Temp. rise (°C)	Connector socket
MV 1561– MV 1563	CDA116	230 V AC	50	±15%	Terminal (CDA)	10.0 VA	Class B IP65	50	Special (similar to form B)
MV 1571– MV 1573		24 V DC	-	±10%		6.5 W		30	

¹⁾ Other voltage or frequency on request.



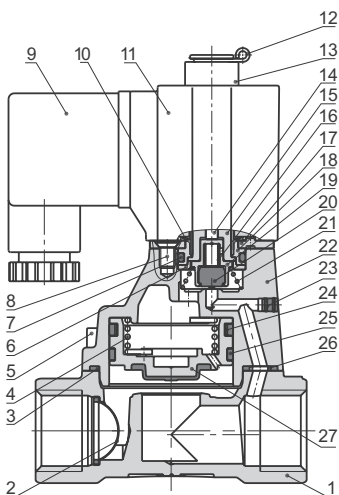
»Brass type

MV 1561–MV 1573

Dimensions


Art. No.	A	A1	B	C	D	E	F	G	H	I	J	K
MV 1561, MV 1571	52.5	70	65	112.3	70	77	8	6.4	30.5	36.5	1/2"	46
MV 1562, MV 1572	52.5	70	75	120.8	82	78.5	8	6.4	34	40	3/4"	53
MV 1563, MV 1573	52.5	70	80	129.3	92	81	8	6.4	36	44.5	1"	59

(Values in mm)

Components and materials


No.	Item	Material
1	Body	Brass
2	Filter	Stainless steel
3	Gasket	FPM
4	Spring	Stainless steel
5	Screw	Stainless steel
6	Flange	Stainless steel
7	O-ring	FPM
8	Screw	Steel
9	Plug	Plastic
10	Spring washer	Steel
11	Coil	
12	Clip	Steel
13	Distance collet	Aluminium
14	Control pin	Stainless steel
15	Electromagnet	Stainless steel
16	Spring	Stainless steel
17	Fixed plate	Steel
18	Fixed cap	Stainless steel
19	Sealing tappet	Stainless steel
20	Gasket	FPM
21	Spring	Stainless steel
22	Cover	Brass
23	Lock pin	Brass
24	Radial spring ring	Stainless steel
25	Piston ring	Wear resistant material
26	Sealing	FPM
27	Piston	Brass