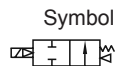




»Stainless steel type

MV 1561 ES–MV 1573 ES



Product features

- Media valve for shutting off gaseous or liquid media that are compatible with the materials used.
- The valves require a minimum working pressure.
- A compact design, easy installation and short response times are typical features of this modern valve concept.
- Any mounting position.
- The high-quality materials used for the valves and extensive testing guarantee a long service life.

Valve's specification

Acting	Internally piloted				
Initial status	Normally opened				
Adaptable fluid	Air, Water, Oil				
Viscosity limit	Under 20 CST (mm ² /s)				
Ambient and fluid temperature (°C)		Water	Air	Oil	Ambient
	Max.	80	90	80	70
	Min.	1	-20 ¹⁾	-10 ²⁾	-20

¹⁾ Dew point: -20 (°C) or less;

²⁾ 50 CST or less.

Specifications / Technical data

Art. No.	Power type	Port size	Nominal width (mm)	Cv	Weight (g)	Operating pressure difference		Proof pressure	
						bar	psi	bar	psi
MV 1561 ES	230 V AC, 50 Hz	1/2"	15.0	5.5	680	Max. 7 Min. 0.5	Max. 100 Min. 10	15	220
MV 1562 ES		3/4"	20.0	9.5	880				
MV 1563 ES		1"	25.0	12.5	1125				
MV 1571 ES	24 V DC	1/2"	15.0	5.5	680	Max. 7 Min. 0.5	Max. 100 Min. 10	15	220
MV 1572 ES		3/4"	20.0	9.5	880				
MV 1573 ES		1"	25.0	12.5	1125				

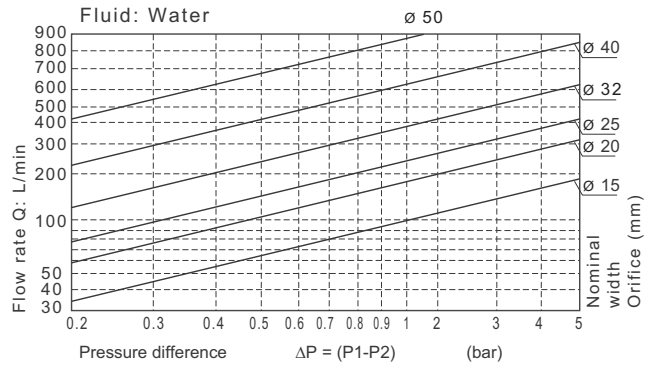
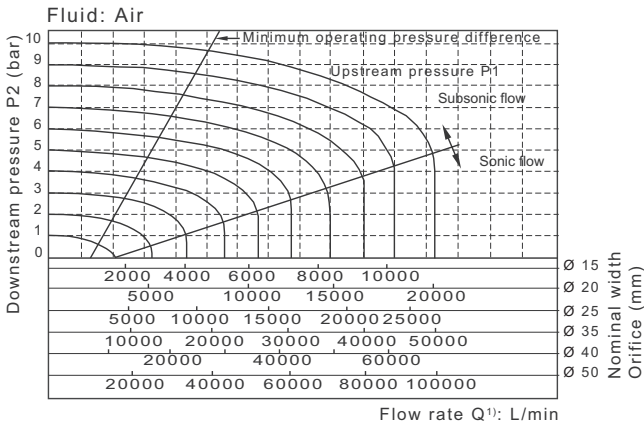
Ordering information

Art. No.	Type
MV 1561 ES–MV 1563 ES	Normally open, (NO), pilot-operated, 230 V, 50 Hz
MV 1571 ES–MV 1573 ES	Normally open, (NO), pilot-operated, 24 V DC

»Stainless steel type

MV 1561 ES–MV 1573 ES

Flow chart

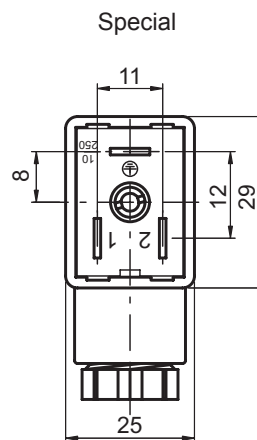


¹⁾ Flow rates are based on standard conditions (temperature 20 °C, ambient pressure 1013 mbar, relative air humidity 65%)

Specification of coil

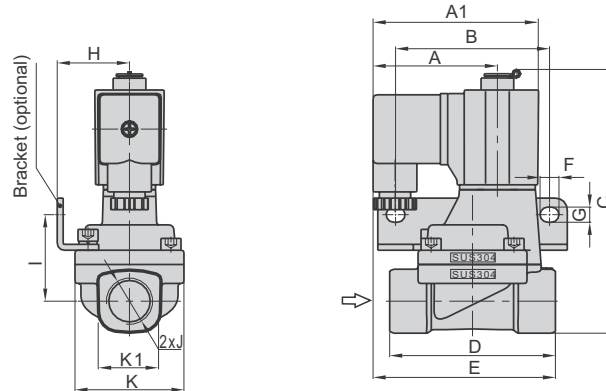
Art. No.	Coil type	Power type ¹⁾	Frequency (Hz) ¹⁾	Voltage range	Electrical entry	Power consumption (VA/W)	Insulation/protection	Temp. rise (°C)	Connector socket
MV 1561 ES	CDA116	230 V AC	50	±15%	Terminal (CDA)	15.0 VA	Class B IP65	50	Special (similar to form B)
MV 1562 ES		24 V DC	-	±10%		6.5 W		30	
MV 1563 ES	CDA170	230 V AC	50	±15%		35.0 VA		65	
MV 1571 ES		24 V DC	-	±10%		10.5 W		40	
MV 1572 ES									
MV 1573 ES									

¹⁾ Other voltage or frequency on request.



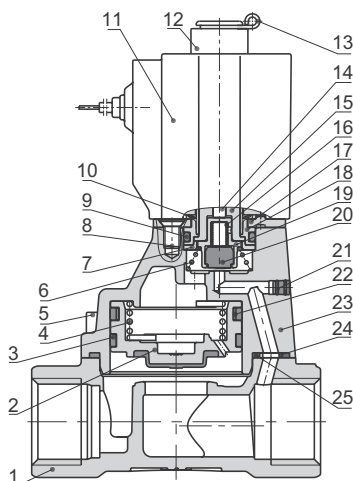
»Stainless steel type

MV 1561 ES–MV 1573 ES

Dimensions


Art. No.	A	A1	B	C	D	E	F	G	H	I	J	K	K1
MV 1561 ES	52.5	70	65	112.3	70	77	8	6.4	30.5	36.5	1/2"	46	27.5
MV 1562 ES	52.5	70	75	120.8	82	78.5	8	6.4	34	40	3/4"	53	33.5
MV 1563 ES	52.5	70	80	129.3	92	81	8	6.4	36	44.5	1"	59	40.5
MV 1571 ES	52.5	70	65	112.3	70	77	8	6.4	30.5	36.5	1/2"	46	27.5
MV 1572 ES	52.5	70	75	120.8	82	78.5	8	6.4	34	40	3/4"	53	33.5
MV 1573 ES	52.5	70	80	129.3	92	81	8	6.4	36	44.5	1"	59	40.5

(Values in mm, exception J = inch)

Components and materials


No.	Item	Material
1	Body	Stainless steel
2	Piston	Stainless steel
3	Piston ring	Wear resistant material
4	Spring	Stainless steel
5	Screw	Stainless steel
6	Spring	Stainless steel
7	Flange	Stainless steel
8	Screw	Steel
9	O-ring	FPM
10	Spring washer	Steel
11	Coil	
12	Distance collet	Aluminium
13	Clip	Steel
14	Control pin	Stainless steel
15	Electromagnet	Stainless steel
16	Spring	Stainless steel
17	Fixed plate	Steel
18	Fixed cap	Stainless steel
19	Sealing tappet	Stainless steel
20	Gasket	FPM
21	Lock pin	Stainless steel
22	Radial spring ring	Stainless steel
23	Cover	Stainless steel
24	Sealing	FPM
25	Gasket	FPM
-	Plug	Plastic