

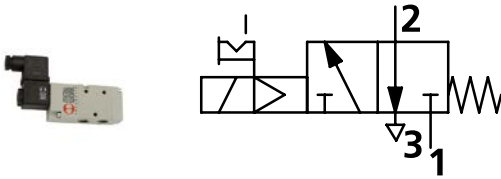
3/2-way valve

electropneumatic, with connector and coil, series 70 low temperature

PLUS ||

Art. No. 150023

Type No. 517.TT.32.14.NC.24A



Exemplary illustration

The series 70 low temperature valves in electropneumatic version complement our range of traditional way valves of series 70. They represent a selection of the most commonly used electropneumatic way valves, which are manufactured with components for special low temperature applications. These valves have a wide range of applications as bushing valves, direct mounting on the cylinder with special adapters or as series valves with multi-base plates and individual interlinking plates (supply strips).

Technical data

| | |
|---|---|
| Function | 3/2 NC |
| Operation | monostable |
| Control air supply | internal |
| Connection | G 1/4 IT |
| Voltage | 24 V AC |
| Frequency | 50/60 Hz |
| DN | 7.5 |
| Flow rate measurement 1 | flow rate at 6 bar and Δp 0.5 bar |
| Flow rate 1 | 750 NI/min |
| Flow rate measurement 2 | flow rate at 6 bar and Δp 1 bar |
| Flow rate 2 | 1100 NI/min |
| Medium | filtered, dry and unlubricated compressed air |
| Required purity class in accordance w. ISO 8573-1 | 4.2.3 |
| Min. operating pressure at -40 to -10 °C | 5 bar |
| Min. operating pressure at -10 to 60 °C | 3 bar |
| Operating pressure | max. 10 bar |
| Medium temperature | -40 to 60 °C |
| Ambient temperature | -40 to 50 °C |
| Valve body | aluminium |
| Piston | nickel-plated aluminium |
| Sealant | NBR |

Technical data

| | |
|------------------|---------------|
| Spring | special steel |
| Control air port | - |
| Manual control | latching |

Series 70 low temperature valves require the use of 22 mm coils with 5 W or 5 VA.

Commercial data

| | |
|-------------------------|------------------|
| Customs tariff number | 84818079 |
| Country of origin | IT |
| eCl@ss 5.1.4 | 27291501 |
| eCl@ss 9.0 | 27291390 |
| UNSPSC_Code_v190501 | 40141603 |
| UNSPSC_CodeDesc_v190501 | Pneumatic valves |

VALVES SERIES 70

The Series 70 forms part of Metal Work's full range of traditional valves.

They are available in sizes 1/8", 1/4", 3/8" and 1/2", versions 3/2, 5/2, 5/3 and double 3/2, with mechanical, manual, pneumatic and electric drives.

They can be installed in line, onto a wall, on the cylinder (using a special bracket) or in series (on a multiple or modular base) to suit all possible applications.

A range of valves (Series 70 LT) designed using components for specific low-temperature applications is now available for the most commonly used types and sizes.

These highly reliable valves comply with the main applicable standards, including Atex, ISO 13489 and SIL, as stated in the documents and certificates available online.



| TECHNICAL DATA | | 1/8" | 1/4" | 3/8" | 1/2" |
|--|--------------------|---|--------|--------|--------|
| Thread on the valve ports | | 1/8" | 1/4" | 3/8" | 1/2" |
| Operating pressure series 70 versions | bar | 2.5 to 10 | | | |
| monostable and bistable differential | | 1 to 10 | | | |
| bistable | | vacuum to 10 | | | |
| asserved | | | | | |
| Operating pressure series 70 LT (low temperature) versions | bar | vacuum to 10 | | | |
| hand operated | | - | | | |
| pneumatic and solenoid/pneumatic | t = -40°C to -10°C | 5 to 10 | | | |
| | t = -10°C to +60°C | 3 to 10 | | | |
| Minimum pilot pressure | bar | 2.5 | | | |
| Operating temperature range | °C | -10 to +60 | | | |
| series 70 versions | | -40 to +60 | | | |
| series 70 LT (low temperature) versions | | | | | |
| Nominal diameter | mm | 5 | 7.5 | 13.3 | 15 |
| Conductance C | Nl/min · bar | 121.43 | 264.26 | 505.52 | 971.43 |
| Critical ratio b | bar/bar | 0.32 | 0.27 | 0.32 | 0.43 |
| Flow rate at 6 bar ΔP 0.5 bar | Nl/min | 400 | 750 | 1560 | 3200 |
| Flow rate at 6 bar ΔP 1 bar | Nl/min | 550 | 1100 | 2150 | 4600 |
| Installation | | In any position (vertical assembly is not recommended for bistable valves subjected to vibration) | | | |
| Fluid | | Filtered air without lubrication; lubrication, if used, must be continuous. | | | |
| Recommended lubricant | | For series 70 LT (low-temperature) versions, it is recommended to use of perferamente dried air. ISO and UNI FD 22 | | | |
| Maximum coil nut torque | Nm | For series 70 LT (low-temperature) it is not expected to be used with lubricated air. 1 | | | |
| Compatibility with oils | | See chapter Z1 | | | |

COMPONENTS SERIES 70

- ① VALVE BODY: Aluminium
- ② CONTROL/END CAP: plastic
- ③ SPOOL: chemically nickel-plated aluminium
- ④ DISTANCE PLATES: plastic
- ⑤ GASKETS: NBR
- ⑥ PISTONS: Hostaform®
- ⑦ PISTON GASKET: NBR
- ⑧ FILTER: plastic
- ⑨ SPRINGS: special steel
- ⑩ OPERATOR: Brass pipe - Stainless steel core



COMPONENTS SERIES 70 LT (LOW TEMPERATURE)

- ① ALVE BODY: aluminium
- ② CONTROL/END CAP: aluminium
- ③ SPOOL: chemically nickel-plated aluminium
- ④ DISTANCE PLATES: plastic
- ⑤ GASKETS: HNBR
- ⑥ PISTONS: aluminium
- ⑦ PISTON GASKET: HNBR
- ⑧ FILTER: plastic
- ⑨ SPRINGS: special steel
- ⑩ OPERATOR: brass pipe - Stainless steel core
(version specific for low-temperature applications)



VALVES

VALVES SERIES 70

FLOW CHARTS

VALVES SERIES 70 1/8"

Flow rates



VALVES SERIES 70 1/4"

Flow rates



VALVES SERIES 70 3/8"

Flow rates



VALVES SERIES 70 1/2"

Flow rates



VALVES SERIES 70 LT (LOW TEMPERATURE)

| TECHNICAL DATA | | 1/8" | 1/4" | 3/8" |
|---|--------------------|--------------------------|--------------|--------|
| Operating pressure standard | bar | | | |
| hand operated | | | Vacuum to 10 | |
| pneumatic and solenoid/pneumatic | t = -40°C to -10°C | | 5 to 10 | |
| | t = -10°C to +60°C | | 3 to 10 | |
| Operating temperature range | °C | | -40 to +60 | |
| Nominal diameter | mm | 5 | 7.5 | 13.3 |
| Conductance C | NI/min - bar | 121.43 | 264.26 | 505.52 |
| Critical ratio b | bar/bar | 0.32 | 0.27 | 0.32 |
| Flow rate at 6 bar ΔP 0.5 bar | NI/min | 400 | 750 | 1560 |
| Flow rate at 6 bar ΔP 1 bar | NI/min | 550 | 1100 | 2150 |
| PNEUMATIC | | | | |
| Minimum pilot pressure | bar | | 5 | |
| t = -40°C to -10°C | | | 3 | |
| t = -10°C to +60°C | | | | |
| TRA / TRR monostable at 6 bar (at 20°C) | ms | 6/15 | 7/15 | 5/28 |
| TRA / TRR bistable at 6 bar (at 20°C) | ms | 7/7 | 7/7 | 13/13 |
| SOLENOID/PNEUMATIC | | | | |
| TRA / TRR monostable at 6 bar (at 20°C) | ms | 15/35 | 19/45 | 21/72 |
| TRA / TRR bistable at 6 bar (at 20°C) | ms | 20/20 | 21/21 | 18/18 |
| Coil voltage values | | 12; 24 VDC | | |
| | | 24; 110; 220V AC 50/60Hz | | |
| Power | t = -40°C to -10°C | 5 W (DC) - 5 VA (AC) | | |
| | t = -10°C to +60°C | 2 W (DC) - 3.5 VA (AC) | | |
| Voltage tolerance | % | -10 to +15 | | |
| Insulation class | | F 155 | | |
| Maximum coil nut torque | Nm | 1 | | |
| Hand operator | | Bistable | | |



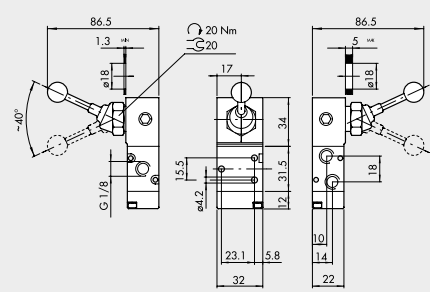
VALVES
VALVES SERIES 70 LT (LOW TEMPERATURE)

SYNOPTIC, SIZES AND VERSIONS

| P N V | 2 | 3 | P N | S | OO | LT |
|-------------------------|------------|----------|--------------|----------------------|---------------------|--------------------|
| FAMILY | DIMENSIONS | FUNCTION | OPERATORS 14 | RESETTING (12) | FURTHER DETAILS | |
| MAV manual valves | 2 1/8" | 3 3/2 | LE leva 90° | S mechanical springs | OO no indication | LT low temperature |
| PNV pneumatic valves | 3 1/4" | 5 5/2 | PN pneumatic | B bistable | NC normally closed | |
| SOV solenoid/ pneumatic | C 3/8" | 6 5/3 | SO solenoid | O stable for 5/3 | NO normally open | |
| | | | | | CC closed centres | |
| | | | | | OC open centres | |
| | | | | | PC pressure centres | |

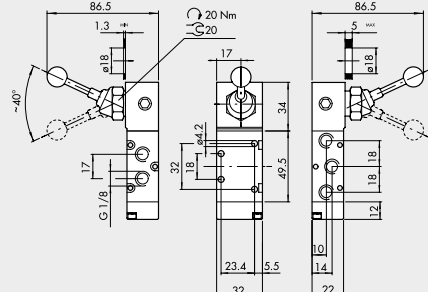
VALVES SERIES 70 LT, HAND OPERATED (LOW TEMPERATURE)

90° LEVER 3/2 1/8"



| Symbol | Code | Abbrev. | Weight [g] |
|--------|--------------|------------------|------------|
| | * 70L1000100 | MAV 23 LES NC LT | 184 |
| | * 70L1000200 | MAV 23 LEB OO LT | 187 |

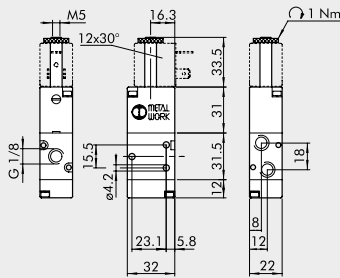
90° LEVER 5/2 1/8"



| Symbol | Code | Abbrev. | Weight [g] |
|--------|--------------|------------------|------------|
| | * 70L1000300 | MAV 25 LES OO LT | 210 |
| | * 70L1000400 | MAV 25 LEB OO LT | 213 |

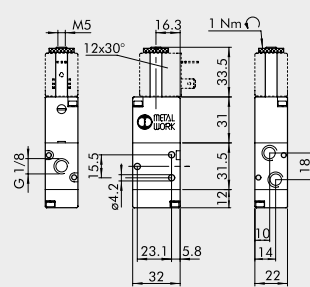
VALVES SERIES 70 LT, SOLENOID/PNEUMATIC (LOW TEMPERATURE)

MONOSTABLE 3/2 NO 1/8"



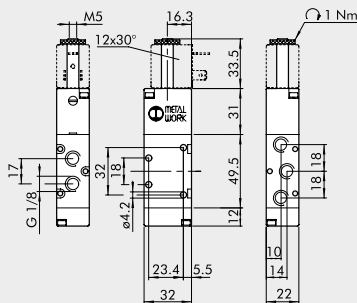
| Symbol | Code | Abbrev. | Weight [g] |
|--------|--------------|------------------|------------|
| | * 70L1020400 | SOV 23 SOS NO LT | 147 |

MONOSTABLE 3/2 NC 1/8"



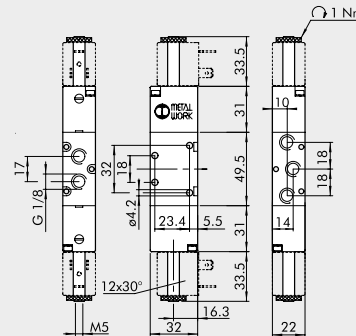
| Symbol | Code | Abbrev. | Weight [g] |
|--------|--------------|------------------|------------|
| | * 70L1020200 | SOV 23 SOS NC LT | 147 |

MONOSTABLE 5/2 1/8"



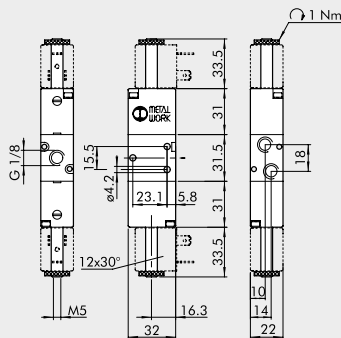
| Symbol | Code | Abbrev. | Weight [g] |
|--------|--------------|------------------|------------|
| | * 70L1021100 | SOV 25 SOS OO LT | 175 |

BISTABLE 5/2 1/8"



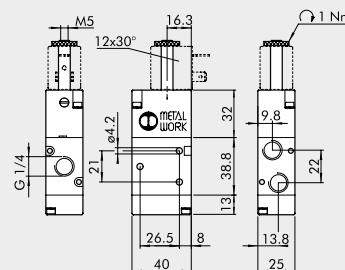
| Symbol | Code | Abbrev. | Weight [g] |
|--------|--------------|------------------|------------|
| | * 70L1021200 | SOV 25 SOB OO LT | 228 |

BISTABLE 3/2 1/8"



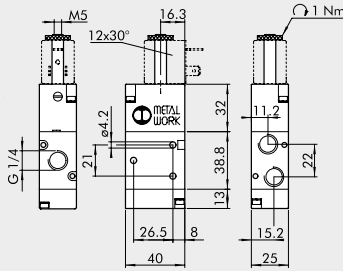
| Symbol | Code | Abbrev. | Weight [g] |
|--------|--------------|------------------|------------|
| | * 70L1020100 | SOV 23 SOB OO LT | 203 |

MONOSTABLE 3/2 NO 1/4"



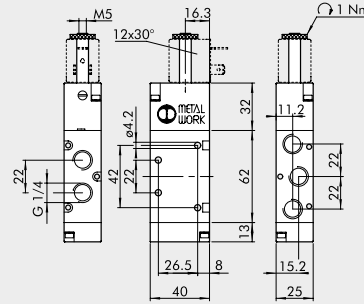
| Symbol | Code | Abbrev. | Weight [g] |
|--------|--------------|------------------|------------|
| | * 70L2020400 | SOV 33 SOS NO LT | 230 |

MONOSTABLE 3/2 NC 1/4"



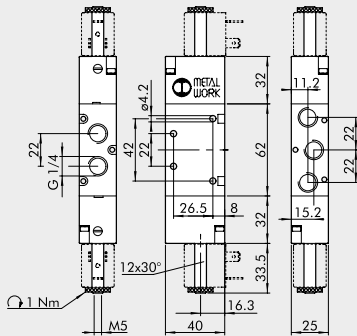
| Symbol | Code | Abbrev. | Weight [g] |
|--------|--------------|------------------|------------|
| | * 70L2020200 | SOV 33 SOS NC LT | 230 |

MONOSTABLE 5/2 1/4"



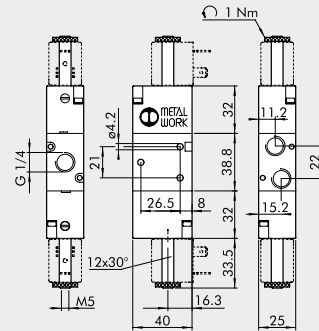
| Symbol | Code | Abbrev. | Weight [g] |
|--------|--------------|------------------|------------|
| | * 70L2021100 | SOV 35 SOS OO LT | 278 |

BISTABLE 5/2 1/4"



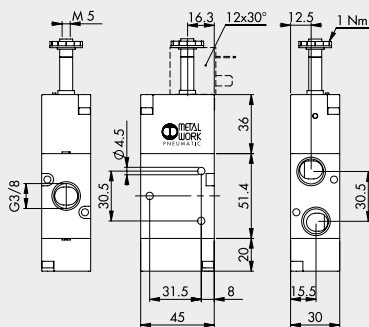
| Symbol | Code | Abbrev. | Weight [g] |
|--------|--------------|------------------|------------|
| | * 70L2021200 | SOV 35 SOB OO LT | 332 |

BISTABLE 3/2 1/4"



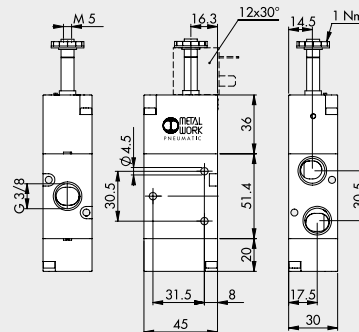
| Symbol | Code | Abbrev. | Weight [g] |
|--------|--------------|------------------|------------|
| | * 70L2020100 | SOV 33 SOB OO LT | 286 |

MONOSTABLE 3/2 NO 3/8"



| Symbol | Code | Abbrev. | Weight [g] |
|--------|--------------|------------------|------------|
| | * 70L4020400 | SOV C3 SOS NO LT | 358 |

MONOSTABLE 3/2 NC 3/8"

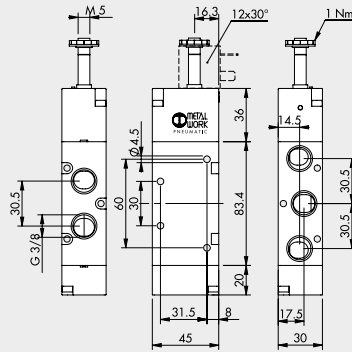


| Symbol | Code | Abbrev. | Weight [g] |
|--------|--------------|------------------|------------|
| | * 70L4020200 | SOV C3 SOS NC LT | 358 |

VALVES

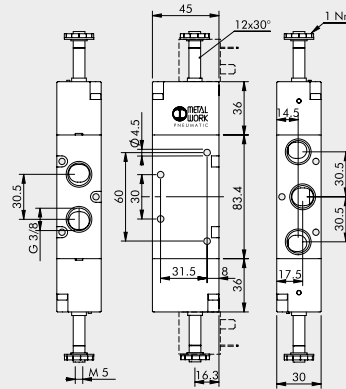
VALVES SERIES 70 LT (LOW TEMPERATURE)

MONOSTABLE 5/2 3/8"



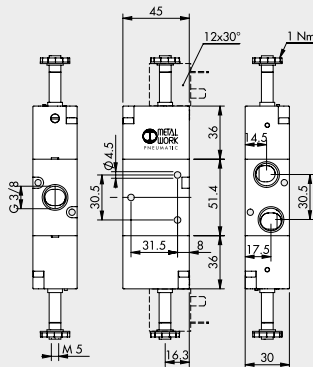
| Symbol | Code | Abbrev. | Weight [g] |
|--------|--------------|------------------|------------|
| | * 70L4021100 | SOV C5 SOS OO LT | 460 |

BISTABLE 5/2 3/8"



| Symbol | Code | Abbrev. | Weight [g] |
|--------|--------------|------------------|------------|
| | * 70L4021200 | SOV C5 SOB OO LT | 526 |

BISTABLE 3/2 3/8"



| Symbol | Code | Abbrev. | Weight [g] |
|--------|--------------|------------------|------------|
| | * 70L4020100 | SOV C3 SOB OO LT | 426 |

NOTES

ACCESSORIES

COILS AND CONNECTORS



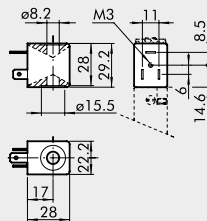
Refer to page B1.60 for coils and connectors
 For temperatures $T < -10^{\circ}C$ it is necessary to use coils side 22 mm from 5 W or 5 VA .
 (see page B1.77)

COILS AND CONNECTORS FOR SERIES 70, NAMUR AND SERIES BASIC VALVES

VALVES

COILS AND CONNECTORS FOR SERIES 70, NAMUR AND SERIES BASIC VALVES

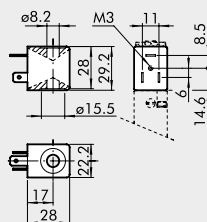
COILS SIDE 22 mm



- Voltage tolerance: -10% + 15%
- Insulation class: F155
- Degree of protection: IP65 DIN 40050 with connector
- Avoid prolonged exposure to atmospheric agents
- Coil temperature 100% ED: 55°C at 20°C ambient temperature
- According to Atex 2014/34/EU rule, group 2, category 3 GD
- Electrical connection DIN 43650 B-IND

| Code | Abbrev. | Nominal voltage | Absorption | |
|-------------|-----------------------------|-----------------|------------|---------|
| | | | Inrush | Holding |
| W0215000151 | Coil 22 Ø 8 BA 2W-12VDC | 12Vcc | 2W | 2W |
| W0215000101 | Coil 22 Ø 8 BA 2W-24VDC | 24Vcc | 2W | 2W |
| W0215000111 | Coil 22 Ø 8 BA 3.5VA-24VAC | 24V 50/60Hz | 5.3VA | 3.5VA |
| W0215000121 | Coil 22 Ø 8 BA 3.5VA-110VAC | 110V 50/60Hz | 5.3VA | 3.5VA |
| W0215000131 | Coil 22 Ø 8 BA 3.5VA-220VAC | 220V 50/60Hz | 5.3VA | 3.5VA |

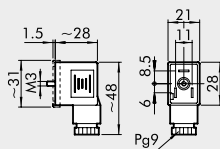
"UL" AND "CSA" COILS 22 mm



- Voltage tolerance: -10% to + 15%
- Insulation class: F155
- Degree of protection: IP65 EN60529 with connector
- Avoid prolonged exposure to the atmospheric agents
- Coil temperature 100% ED: 55°C at 20°C ambient temperature
- Electrical connection DIN 43650 B-IND

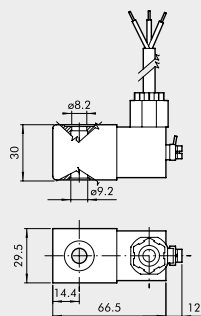
| Code | Abbrev. | Nominal voltage | Absorption | |
|-------------|--------------------------------|-----------------|------------|---------|
| | | | Inrush | Holding |
| W0215000251 | Coil 22 Ø 8 BA 2W-12VDC UR | 12Vcc | 2W | 2W |
| W0215000201 | Coil 22 Ø 8 BA 2W-24VDC UR | 24Vcc | 2W | 2W |
| W0215000211 | Coil 22 Ø 8 BA 3.5VA-24VAC UR | 24V 50/60Hz | 5.3VA | 3.5VA |
| W0215000221 | Coil 22 Ø 8 BA 3.5VA-110VAC UR | 110V 50/60Hz | 5.3VA | 3.5VA |
| W0215000231 | Coil 22 Ø 8 BA 3.5VA-220VAC UR | 220V 50/60Hz | 5.3VA | 3.5VA |

CONNECTOR FOR COILS SIDE 22 mm DIN 43650 B-IND



| Code | Tipo | Colour | Ø Cable |
|-------------|----------------|-------------|---------|
| W0970510011 | Standard | Black | PG9 |
| W0970510012 | LED 24V | Transparent | PG9 |
| W0970510013 | LED 110V | Transparent | PG9 |
| W0970510014 | LED 220V | Transparent | PG9 |
| W0970510015 | LED + VDR 24V | Transparent | PG9 |
| W0970510016 | LED + VDR 110V | Transparent | PG9 |
| W0970510017 | LED + VDR 220V | Transparent | PG9 |
| W0970510070 | Atex II 2 GD | Black | PG9 |

KIT COIL EEXM



| Code | Description |
|------------|---|
| 0227606913 | Kit for coil 30 24VDC EEXMT5 cable 3 m |
| 0227606915 | Kit for coil 30 24VDC EEXMT5 cable 5 m |
| 0227608013 | Kit for coil 30 24VAC EEXMT5 cable 3 m |
| 0227608015 | Kit for coil 30 24VAC EEXMT5 cable 5 m |
| 0227608023 | Kit for coil 30 110VAC EEXMT5 cable 3 m |
| 0227608025 | Kit for coil 30 110VAC EEXMT5 cable 5 m |
| 0227608033 | Kit for coil 30 230VAC EEXMT5 cable 3 m |
| 0227608035 | Kit for coil 30 230VAC EEXMT5 cable 5 m |

According to Atex 2014/34/EU rule: Ex II 2G Ex mb IIC T4/T5 Gb
 Ex II 2D Ex tb IIIC T130/T95 °C IP66 Db

N.B.: Supplied complete with adapter for Ø8 mm sleeve.
 N.B.: It's not possible to mount valves having these coils on bases or on manifolds, because the width of 29.5 mm is higher than the distance between the valves. Special bases can be manufactured on request.

KIT COILS SIDE 22 IP65

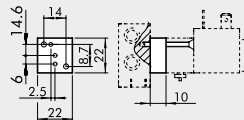


| Code | Description |
|------------|-------------------------|
| 0222100100 | Kit for coils 22 - IP65 |

Improved IP65 protection, even after prolonged exposure to atmospheric agents.
 Applicable to valves with a technopolymer control.

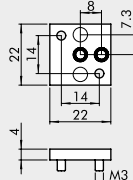


NC/NO ADAPTER FOR PIV.T VALVES



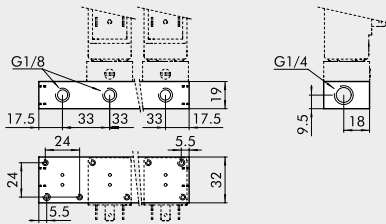
| Code | Description | Abbrev. | Weight [g] |
|-------------|---------------|---------|------------|
| W0400101190 | NC/NO adapter | I-9000 | 15 |

BASE BLANKING PLATE FOR PIV.T VALVES, UNUSED POSITIONS



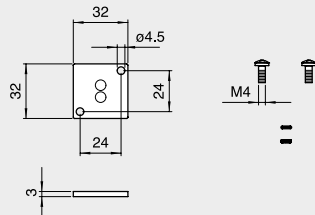
| Code | Description | Abbrev. | Weight [g] |
|-------------|----------------|---------|------------|
| W0400112000 | Blanking plate | B6000 | 5 |

MULTIPLE BASES FOR PIV.B VALVES



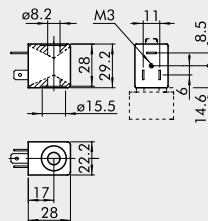
| Code | Description | Abbrev. | Weight [g] |
|-------------|------------------|---------|------------|
| W0400101201 | Base 1 position | B4001 | 42 |
| W0400101202 | Base 2 positions | B4002 | 94 |
| W0400101203 | Base 3 positions | B4003 | 142 |
| W0400101204 | Base 4 positions | B4004 | 188 |
| W0400101205 | Base 5 positions | B4005 | 234 |
| W0400101206 | Base 6 positions | B4006 | 280 |
| W0400101207 | Base 7 positions | B4007 | 326 |
| W0400101208 | Base 8 positions | B4008 | 372 |
| W0400101209 | Base 9 positions | B4009 | 418 |

BASE BLANKING PLATE FOR PIV.B VALVES, UNUSED POSITIONS



| Code | Description | Weight [g] |
|-------------|----------------|------------|
| W0400112001 | Blanking plate | 14 |

COILS, SIDE 22 mm FOR PIV.I SOLENOID VALVES, OPERATOR Ø 8



- Voltage tolerance: -10 to +15%
- Insulation class: F155
- Degree of protection: IP65 – EN60529 with connector
- Avoid prolonged exposure to the atmospheric agents.
- Maximum coil temperature at 100% use: 70°C at 20° ambient temperature
- According to Atex 2014/34/EU rule, group 2, category 3 GD
- Electrical connection DIN 43650 B-IND

| Code | Abbrev. | Nominal voltage | Absorption | |
|-------------|------------------------|-----------------|------------|---------|
| | | | Inrush | Holding |
| W0215000051 | Coil 22 Ø 8 5W-12VDC | 12Vcc | 5W | 5W |
| W0215000001 | Coil 22 Ø 8 5W-24VDC | 24Vcc | 5W | 5W |
| W0215000011 | Coil 22 Ø 8 5VA-24VAC | 24V 50/60Hz | 8VA | 5VA |
| W0215000021 | Coil 22 Ø 8 5VA-110VAC | 110V 50/60Hz | 8VA | 5VA |
| W0215000031 | Coil 22 Ø 8 5VA-220VAC | 220V 50/60Hz | 8VA | 5VA |

VALVES

ACCESSORIES FOR SOLENOID VALVES PIV ON BASE

Accessories

| | Art. No. | Type No. |
|--|----------|--------------|
| Solenoid, 22 mm x Ø 8 mm, electrical connection equipment type B, 110 V AC, 50/60 Hz, 5 VA | 118634 | 400-517-07 |
| Solenoid, 22 mm x Ø 8 mm, electrical connection equipment type B, 230 V AC, 50/60 Hz, 5 VA | 118635 | 400-517-17 |
| Solenoid, 22 mm x Ø 8 mm, electrical connection equipment type B, 12 V DC, 5 W | 118636 | 400-517-41 |
| Solenoid, 22 mm x Ø 8 mm, electrical connection equipment type B, 24 V DC, 5 W | 118637 | 400-517-42 |
| plug connector with LED, 230 V, 22 mm, type B, housing transparent, with seal and screw | 117314 | 1920.9PL.17 |
| plug connector with LED, 24 V, 22 mm, type B, housing transparent, with seal and screw | 117316 | 1920.9PL.42 |
| plug connector with LED, varistor 230 V, 22 mm, type B, housing transparent, with seal and screw | 117317 | 1920.9PLV17 |
| plug connector with LED, varistor 24 V, 22 mm, type B, housing transparent, with seal and screw | 117318 | 1920.9PLV42 |
| plug connector, 22 mm, type B, housing standard black, ATEX II 2 GD, with seal and screw | 151011 | 1920.9PL110 |
| plug connector with LED, 110 V, 22 mm, type B, housing transparent, with seal and screw | 129849 | 1920.9PLV110 |
| Supply strip for the way valves, mounting bracket set, height 120 mm, for valves connection G 1/4, exhaust/supply connection G 3/8 | 106607 | 518.120-14 |
| Supply strip for the way valves, mounting bracket set, height 60 mm, for valves connection G 1/4, exhaust/supply connection G 3/8 | 106608 | 518.60-14 |
| Supply strip for the way valves, mounting bracket set, height 30 mm, for valves connection G 1/4, exhaust/supply connection G 3/8 | 106609 | 518.30-14 |
| Supply strip for the way valves, supply strip with 2 valve positions, for valves connection G 1/4, exhaust/supply connection G 3/8 | 106616 | 519.02-14 |
| Supply strip for the way valves, supply strip with 3 valve positions, for valves connection G 1/4, exhaust/supply connection G 3/8 | 106617 | 519.03-14 |
| Supply strip for the way valves, supply strip with 4 valve positions, for valves connection G 1/4, exhaust/supply connection G 3/8 | 106618 | 519.04-14 |
| Supply strip for the way valves, supply strip with 5 valve positions, for valves connection G 1/4, exhaust/supply connection G 3/8 | 106619 | 519.05-14 |
| Supply strip for the way valves, supply strip with 6 valve positions, for valves connection G 1/4, exhaust/supply connection G 3/8 | 106620 | 519.06-14 |
| Supply strip for the way valves, supply strip with 7 valve positions, for valves connection G 1/4, exhaust/supply connection G 3/8 | 106621 | 519.07-14 |
| Multi-base plate for the way valves, with 2 valve positions, for valves connection G 1/4, exhaust/supply connection G 3/8 | 106632 | 520.02-14 |
| Multi-base plate for the way valves, with 3 valve positions, for valves connection G 1/4, exhaust/supply connection G 3/8 | 106633 | 520.03-14 |
| Multi-base plate for the way valves, with 4 valve positions, for valves connection G 1/4, exhaust/supply connection G 3/8 | 106634 | 520.04-14 |
| Multi-base plate for the way valves, with 5 valve positions, for valves connection G 1/4, exhaust/supply connection G 3/8 | 106635 | 520.05-14 |
| Multi-base plate for the way valves, with 6 valve positions, for valves connection G 1/4, exhaust/supply connection G 3/8 | 106636 | 520.06-14 |
| Multi-base plate for the way valves, with 7 valve positions, for valves connection G 1/4, exhaust/supply connection G 3/8 | 106637 | 520.07-14 |
| Multi-base plate for the way valves, with 8 valve positions, for valves connection G 1/4, exhaust/supply connection G 3/8 | 106638 | 520.08-14 |
| Multi-base plate for the way valves, with 9 valve positions, for valves connection G 1/4, exhaust/supply connection G 3/8 | 106639 | 520.09-14 |

Accessories

| | Art. No. | Type No. |
|---|----------|------------|
| Multi-base plate for the way valves, with 10 valve positions, for valves connection G 1/4, exhaust/supply connection G 3/8 | 106640 | 520.10-14 |
| Modular base, for valves connection G 1/4, manifold base system for valves series 70/basic | 146739 | 0226005150 |
| Terminal outlet w/o seals, for valves G 1/4, exhaust/supply G 1/4, manifold base system for valves series 70/basic | 146740 | 0226005201 |
| Terminal inlet with seals, for valves G 1/4, exhaust/supply G 1/4, manifold base system for valves series 70/basic | 146741 | 0226005200 |
| Terminal intermediate/upper supply, for valves G 1/4, exhaust/supply G 1/4, manifold base system for valves series 70/basic | 146742 | 0226005300 |

Spareparts

| | Art. No. | Type No. |
|--|----------|------------|
| Solenoid, 22 mm x Ø 8 mm, electrical connection equipment type B, 24 V AC, 50/60 Hz, 5 VA | 118633 | 400-517-01 |
| plug connector, 22 mm, type B, housing standard black, with seal and screw | 117313 | 1920.9P |
| 3/2-way valve low temperature, electropneumatic, monostable, G 1/4, NC, pmax 10 bar, T = - 40 ... 60 °C, alum., w/o connector/coil | 149934 | 70L2020200 |