

## Accessories

### Rod clevis

**179918 - 179928**

#### Product features

Rod clevises conforming to ISO 8140 standards.

Mounted on the piston rod thread, they allow a swinging movement of the cylinder.

Up to and including M20x1.5 with a hinged spring pin, from M27x2 with a pin and two retaining rings.

#### Material

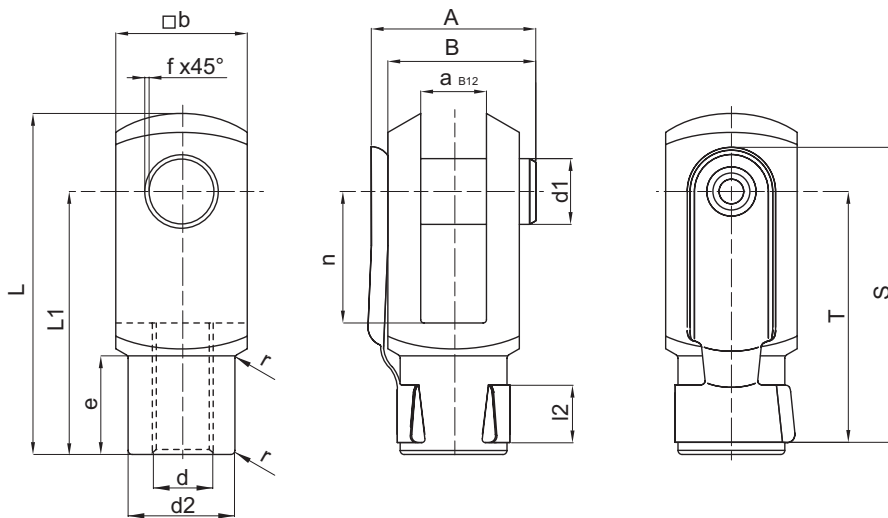
White zinc plated steel.



Exemplary illustration



Exemplary illustration



#### Dimensions

Art. No.	Type No.	For cylinders	Suitable for piston Ø	d	a	A	S	B	b	d <sub>1</sub>	T	L <sub>2</sub>
179918	GAKAP2M4	ISO 6432	8-10	M4x0.7	4.0	11.0	19.0	9.0	8.0	4.0	15.0	5.0
179919	GAKAP2M6	ISO 6432	12-16	M6x1	6.0	16.0	28.0	14.0	12.0	6.0	23.0	6.0
179920	GAKAP2M8	ISO 6432 ISO 21287	20 20-25	M8x1.25	8.0	22.0	37.0	19.0	16.0	8.0	31.0	8.0
179921	GAKAP2M10X125	ISO 6432 Round cylinder* ISO 21287 ISO 15552	25 32 32-40 32	M10x1.25	10.0	26.0	46.0	23.0	20.0	10.0	39.0	10.0
179922	GAKAP2M12X125	Round cylinder* ISO 21287 ISO 15552	40 50-63 40	M12x1.25	12.0	32.0	55.0	28.0	24.0	12.0	47.0	12.0
179923	GAKAP2M16X15	Round cylinder* ISO 21287 ISO 15552	50 80-100 50-63	M16x1.5	16.0	40.0	72.0	36.0	32.0	16.0	62.0	14.0
179924	GAKAP2M20X15	ISO 21287 ISO 15552	125 80-100	M20x1.5	20.0	48.0	88.0	44.0	40.0	20.0	72.0	16.0
179925	GAKAP2M27X2	ISO 15552	125	M27x2	30.0	-	-	-	55.0	30.0	-	-
179926	GAKAP2M36X2	ISO 15552	160-200	M36x2	35.0	-	-	-	70.0	35.0	-	-
179927	GAKAP2M42X2	ISO 15552	250	M42x2	40.0	104.3	-	-	85.0	40.0	-	-
179928	GAKAP2M48X2	ISO 15552	320	M48x2	50.0	117.3	-	-	96.0	50.0	-	-

(Values in mm)

\* not ISO 6432

Pneumatic cylinder rod-end clevis mounting dimensions in accordance with ISO 8140: Pneumatic fluid power - Cylinders, 1000 kPa (10 bar) series - Mounting dimensions of rod-end clevises.

## Accessories

### Rod clevis

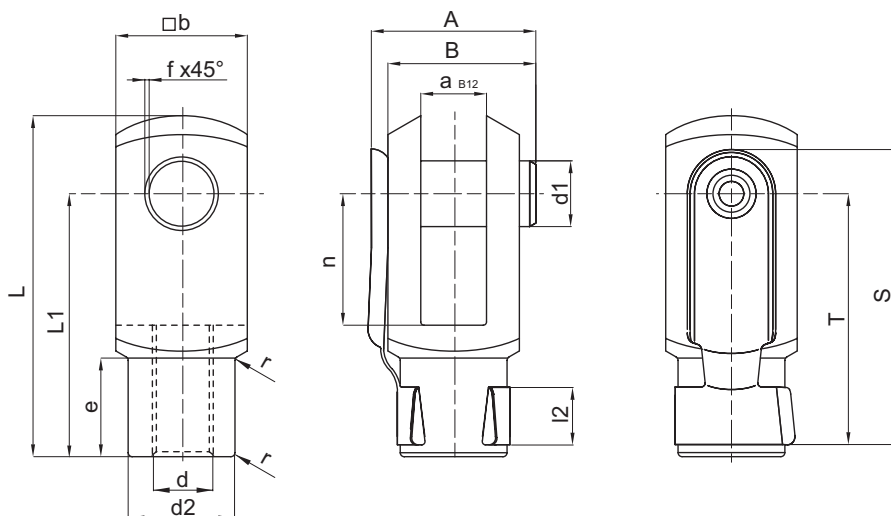
#### 179918 - 179928

##### Product features

Rod clevises conforming to ISO 8140 standards.  
Mounted on the piston rod thread, they allow a swinging movement of the cylinder.  
Up to and including M20x1.5 with a hinged spring pin, from M27x2 with a pin and two retaining rings.

##### Material

White zinc plated steel.



Exemplary illustration



Exemplary illustration

##### Dimensions

Art. No.	Type No.	For cylinders	Suitable for piston Ø	d <sub>2</sub>	e	f	L	L <sub>1</sub>	n	r	Weight (g)
179918	GAKAP2M4	ISO 6432	8-10	8.0	6.0	0.5	21.0	16.0	8.0	0.5	7.0
179919	GAKAP2M6	ISO 6432	12-16	10.0	9.0	0.5	31.0	24.0	12.0	0.5	19.0
179920	GAKAP2M8	ISO 6432 ISO 21287	20 20-25	14.0	12.0	0.5	42.0	32.0	16.0	0.5	47.0
179921	GAKAP2M10X125	ISO 6432 Round cylinder* ISO 21287 ISO 15552	25 32 32-40 32	18.0	15.0	0.5	52.0	40.0	20.0	0.5	89.0
179922	GAKAP2M12X125	Round dylinder* ISO 21287 ISO 15552	40 50-63 40	20.0	18.0	0.5	62.0	48.0	24.0	0.5	153.0
179923	GAKAP2M16X15	Round cylinder* ISO 21287 ISO 15552	50 80-100 50-63	26.0	24.0	1.0	83.0	64.0	32.0	1.0	320.0
179924	GAKAP2M20X15	ISO 21287 ISO 15552	125 80-100	34.0	30.0	1.0	105.0	80.0	40.0	1.0	680.0
179925	GAKAP2M27X2	ISO 15552	125	48.0	38.0	1.0	148.0	110.0	54.0	1.0	1810.0
179926	GAKAP2M36X2	ISO 15552	160-200	60.0	40.0	1.0	188.0	144.0	72.0	1.0	3890.0
179927	GAKAP2M42X2	ISO 15552	250	70.0	63.5	1.0	232.0	168.0	84.0	5.0	5300.0
179928	GAKAP2M48X2	ISO 15552	320	82.0	73.0	1.0	265.0	192.0	96.0	5.0	7900.0

(Values in mm)

\* not ISO 6432

Pneumatic cylinder rod-end clevis mounting dimensions in accordance with ISO 8140: Pneumatic fluid power - Cylinders, 1000 kPa (10 bar) series - Mounting dimensions of rod-end clevises.