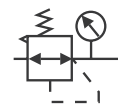


## »GA-mini« Series

GAR 05, GAR 06

Symbol



### Product features

- Reversible diaphragm pressure regulators, independent of inlet pressure, with self-relieving design.
- The pressure setting can be locked by pushing the button down.

### Specifications / Technical data

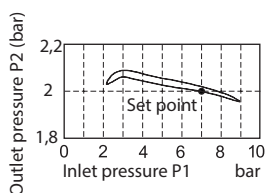
Type	Size 200	
	GAR 05	GAR 06
Fluid	Air	
Port size	1/8"	1/4"
Pressure range	0.5 to 9 bar (0.05 to 0.9 MPa, 7 to 130 psi)	
Inlet pressure max.	10 bar (1.0 MPa, 145 psi)	
Temperature range	-20 to 70 °C	
Weight	170 g	

### Ordering information

Type	description
GAR 05, GAR 06	Pressure regulators, incl. pressure gauge and »HW« mounting bracket

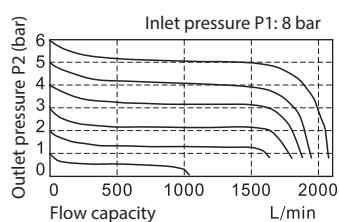
### Pressure chart

GAR 05, GAR 06



### Flow chart

GAR 05, GAR 06

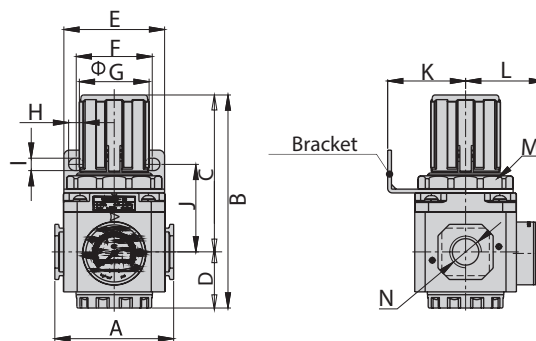


## »GA-mini« Series

GAR 05, GAR 06

### Body dimensions

GAR 05, GAR 06



Art. No.	Type	A	B	C	D	E	F	G	H	I	J	K	L	M	N
178353	GAR 05	52,5	91,0	65,5	25,5	55,0	34,0	31,0	15,4	5,4	45,0	30,0	39,0	M33x1,5	1/8"
178354	GAR 06	52,5	91,0	65,5	25,5	55,0	34,0	31,0	15,4	5,4	45,0	30,0	39,0	M33x1,5	1/4"

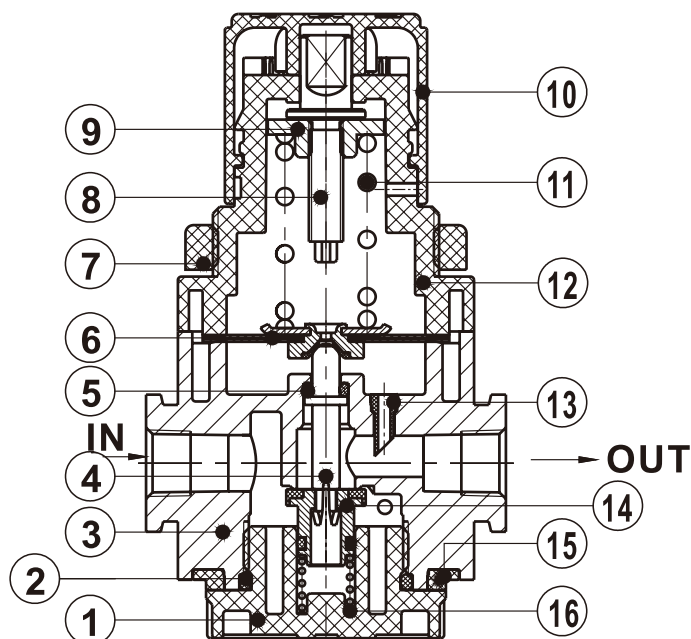
(Values in mm, exception N = inch)

**»GA-mini« Series**

GAR 05, GAR 06

**Components and materials**






No.	Item	Material
1	Valve cap	Aluminum alloy (GAR 34 - GAR 55) / POM (GAR 11 - 33)
2	O-ring	NBR
3	Body	Aluminum alloy
4	Spool	Brass (GAR 34 - GAR 55) / POM (GAR 11 - 33)
5	O-ring	NBR
6	Diaphragm	NBR
7	Fixed ring	Aluminum alloy (GAR 34 - GAR 55) / POM (GAR 11 - 33)
8	Adjusting spindle	Steel
9	Regulator nut	Steel
10	Pressure knob	POM
11	Pressure spring	Spring steel
12	Adjusting seat	Aluminum alloy (GAR 34 - GAR 55) / POM (GAR 11 - 33)
13	Feed back tube	POM
14	Pressure plug	Aluminum & steel
15	Bottom cover	POM
16	Spring	spring steel



## »GA-mini« Series

GAR 05, GAR 06

### Accessories

	Art. No.	Type	description
no image available	179140	GAR 05 120	Adapter plate for mounting standard pressure gauges
	101672	110.46-KD	Standard pressure gauges
	116480	HW 200	Mounting bracket
	116612	UB 200	Joiner without wall mounting
	116515	LB 200	Joiner with wall mounting, 1 drilled hole
	116608	TB 200	Joiner with wall mounting, 2 drilled holes