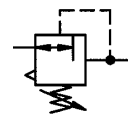




## Constant-pressure regulator

Size 4

**737.801 to 737.905**
**G 1 1/4 (red.)**
**G 1 1/2**

 0.5 to 3 bar  
 0.5 to 6 bar  
 0.5 to 10 bar  
 0.5 to 16 bar  
 0.5 to 25 bar


### Characteristics

Order No.	737.901	737.902	737.903	737.904	737.905
Port	<b>G 1 1/2</b>				
Order No.	737.801	737.802	737.803	737.804	737.805
Port	<b>G 1 1/4 (reduced)</b>				
Pressure gauge port	G 1/4				
Type of construction	Diaphragm pressure regulator with self-relieving design  <b>Special versions on request</b> e.g. - Reverse flow port closed				
Max. input pressure p <sub>1</sub>	<b>40 bar</b>				
Control range p <sub>2</sub>	0.5 to 3 bar / 0.5 to 6 bar / 0.5 to 10 bar / 0.5 to 16 bar / 0.5 to 25 bar				
Mounting position	Any / <b>note direction of arrow</b>				
Mounting type	Bracket				
Medium temperature	-10 °C to 90 °C				
Ambient temperature	-10 °C to 90 °C				
Weight [g]	5050 / 5200 with pressure gauge				

### Description

- Standard design
- Conical double nipples (G 1 1/2) required for block mounting with other devices
- Pressure setting until 10 bar by adjusting screw with T-handle, 16 + 25 bar by hexagon screw a/f 19; setting can be locked with lock nut
- Flow direction indicated by arrows
- **Entry in direction of arrow**
- Working pressure remains virtually **onstant, regardless** of system pressure fluctuations and air consumption
- Pressure gauge Ø63 included, can be mounted at both ends
- Wall mounting with mounting bracket on cover
- Max. output pressure **25 bar**

### Materials

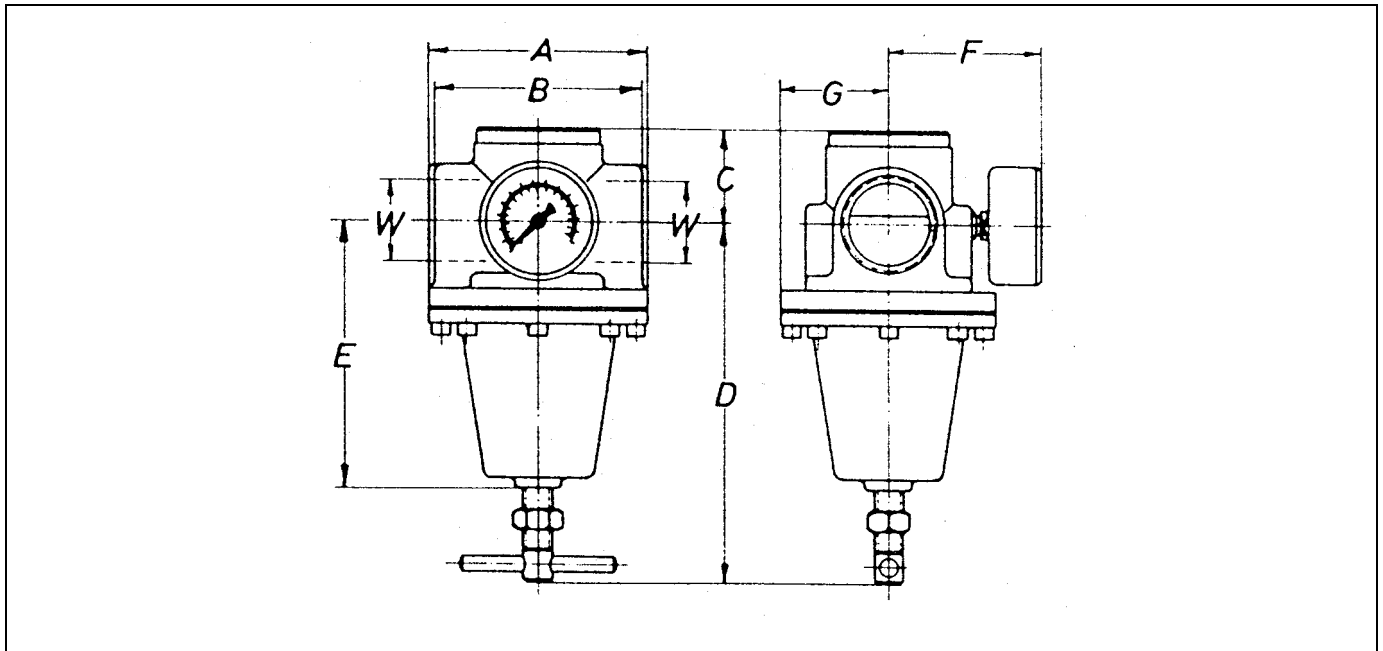
Part	Material
Head piece (body)	Brass
Spring bonnet/adjusting screw	Brass
Diaphragm →	NBR-brass
Pressure spring	Galvanised steel
Valve cone →	NBR-brass
Counter-pressure spring	Stainless steel
O-ring 52 x 3 →	NBR

### Accessories

Designation	Order No.
Mounting bracket with 2 screws	H 88
Double nipple G 1½	252.07/4
Reducing nipple G 1 ½ male to G 1 ¼ female	251.12

### Main spare parts

Part	Part No.
→ Set of wearing parts - Diaphragm, cmpl. - Valve cone, cmpl. - O-ring 52 x 3	22.793.4
Pr. gauge Ø 63, G 1/4	
0 to 4 bar	215-KD
0 to 6 bar	216-KD
0 to 10 bar	217-KD
0 to 16 bar	218-KD
0 to 25 bar	219

**Dimensions**

**Dimensions [mm]**

Art. No.	Dimensions							Rotary switch $\varnothing$	hexagon a/f	Pr. gauge $\varnothing$	
	A	B	C	D	E	F	G				
737.801 to 737.803	114.0	126.0	48.0	189.0	138.0	80.0	58.0	80	-	G 1/4	63
737.901 to 737.903	114.0	114.0	48.0	189.0	138.0	80.0	58.0	80	-		
737.804 and 737.805	114.0	126.0	48.0	184.0	138.0	80.0	58.0	-	19	G 1/4	63
737.904 and 737.905	114.0	114.0	48.0	184.0	138.6	80.0	58.0	-	19		

**Flow rates**

 Flow rates at  $p_1 > p_2 + 2 \text{ bar}$  / G 1 1/2 port

Art. No.		737.801	737.802	737.803	737.804	737.805
		737.901	737.902	737.903	737.904	737.905
Output pressure $p_2 = 6 \text{ [bar]}$	QN $\text{m}^3/\text{h}$	960	840	730	660	510
Nominal flow ( $\Delta p < 1 \text{ bar}$ )	QN $\text{l}/\text{min}$	16000	14000	12160	11000	8500