



Pressure regulating valve

Size 0

R 05

G 1/8

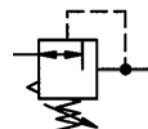
R 06

G 1/4

0.1 to 3 bar

0.2 to 6 bar

0.5 to 10 bar



Characteristics

Type	R 05	R 06
Port	G 1/8	G 1/4
Pressure gauge port	G 1/8	
Type of construction	Diaphragm pressure regulator with self-relieving design	
	Special versions on request	
Max. input pressure p_1	16 bar	
Control range p_2	0.1 to 3 bar / 0.2 to 6 bar / 0.5 to 10 bar	
Mounting position	Any	
Mounting type	Panel mounting, hole $\varnothing 30.5$ Mounting bracket	
Medium temperature	-10 to 60 °C (other temperature	
Ambient temperature	-10 to 60 °C ranges on request)	
Weight [g]	260 / 310 with pressure gauge	

Ordering information


R XX K-X

Order example: R 05 -10

Port	
05	G 1/8
06	G 1/4
Options	
K	Lockable adjusting knob

Order example: R 05 K-10

Materials

Part	Material
Head piece (body)	Z 410
Spring bonnet	POM-brass
Diaphragm	→ NBR-brass
Pressure spring	Galvanised steel
Valve cone	→ NBR-brass
Counter-pressure spring	Stainless steel
O-ring 16 x 2	→ NBR
Bottom screw	POM
Spring bonnet, lockable	POM-Al
Lock cylinder	Brass

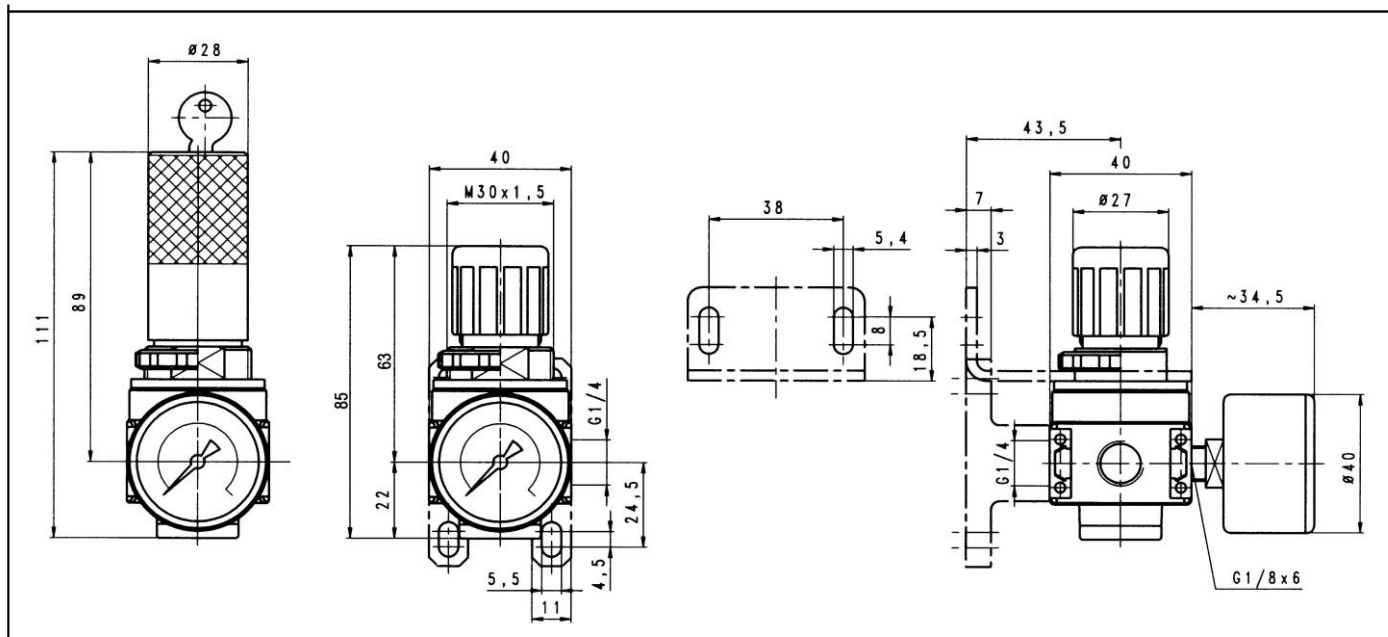
Accessories

Designation	Order No.
Nut M 30 x 1.5	R 11-55
Mounting bracket with nut R 11-55	MV 30
Joiner set(s) for block mounting with other devices	KP 05

Description

- Block design
- Simple block mounting with other devices using conical clamps (**Pin max. 12 bar**)
- Joiner sets (**KP 05**) required for block mounting
- Pressure setting can be locked by pushing the knob down
- Flow direction indicated by arrows
- **Entry in direction of arrow**
- **Independent of inlet pressure**
- Pressure gauge $\varnothing 40$ included
- Pressure gauge can be mounted at both ends
- Lockable adjusting knob (**on request**)

Dimensions [mm]

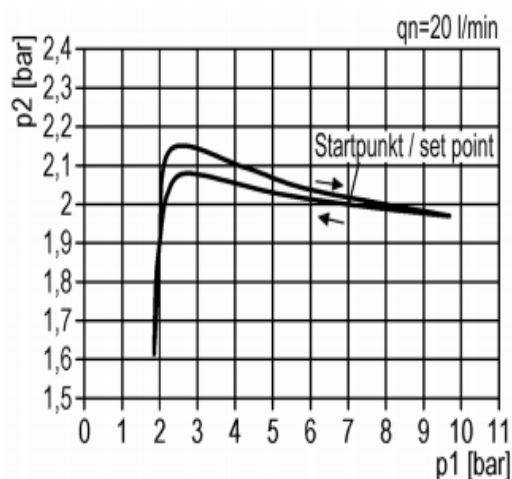


Flow rates

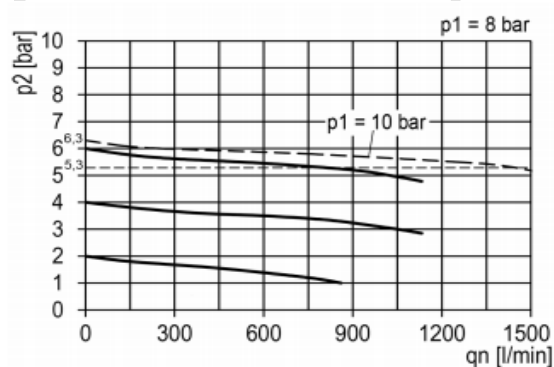
Flow rates at $p_1 = 10$ bar

Art. No.		R 05-3 R 05-6 R 05-10 R 05-16	R 06-3 R 06-6 R 06-10
Output pressure $p_2 = 6.3$ [bar] Nominal flow ($\otimes p = 1$ bar)	QN l/min	1450	1450

Hysteresis



Flow characteristic



Main spare parts

Part	Part No.
→ Set of wearing parts - Diaphragm, compl. - Valve cone, compl. - O-ring 16 x 2	22.1805.4
Pr. gauge $\varnothing 40$, G 1/8 0 to 4 bar	110.44-KD
0 to 10 bar	110.46-KD
0 to 16 bar	110.47-KD
0 to 25 bar	110.37-KDB