

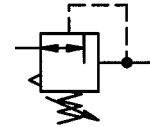


Precision pressure regulator

637.62 637.65

G 1/4

- 0.1 - 2.0 bar
- 0.1 - 3.0 bar
- 0.2 - 5.0 bar



Characteristics

Order No.	637.62	637.63	637.65
Connecting thread	G 1/4		
Pressure gauge connection	G 1/4		
Type of construction	Diaphragm pressure regulator with secondary ventilation		
Max. input pressure p ₁	16 bar		
Control range p ₂	0.1-2.0 bar / 0.1-3.0 bar / 0.2-5.0 bar		
Internal air consumption	0.2 l/min, depending on secondary pressure		
Mounting position	Any / Note arrow		
Mounting type	Panel mounting, hole circle Ø20.5 Bracket		
Medium temperature	-10 to 60 °C		
Ambient temperature	-10 to 60 °C		
Weight [g]	910		

Description

- Regulator contains **no non-ferrous metals**
- Double nipples (G 1/4) are required for connecting to several devices
- Pressure setting can be locked with lock nut
- Flow direction indicated by arrows
- **Inlet in direction of arrows**
- Pressure gauge **not** included in scope of supply, can be mounted on both sides
- Panel mounting with nut on cover
- Wall mounting with fixing bracket on housing

Applications

Precision regulator for use in open and closed-loop control systems in process engineering, the chemical industry, petroleum recovery and processing, metallurgy, the paper industry, etc.

Materials

Part	Material
Head piece (housing)	Zinc - Z 410
Adjusting screw	Stainless steel
Diaphragms	NBR-stainless steel
Compression spring	Galvanised steel
Valve plug, complete	NBR-stainless steel
Back-pressure spring	Stainless steel
O-ring 52.07 x 2.62	NBR
Valve seat	Al
Cover	Al

Accessories

Designation	Order
Fixing bracket with screws	H 820

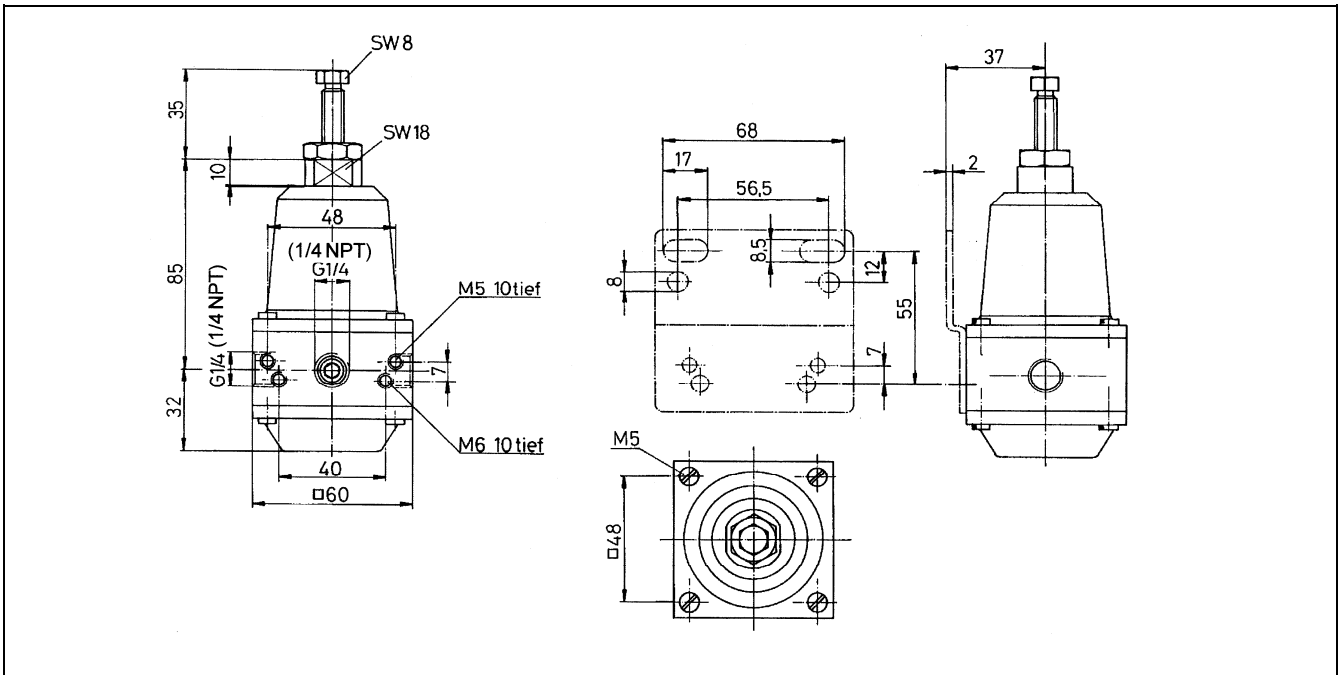
Handling

- **The controller is only allowed to be operated with micro-filtered air (section 1)**

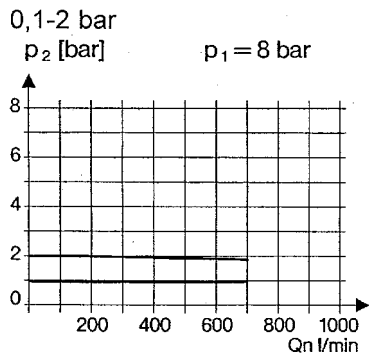
Main spare parts

Part	Part No.
Wearing parts set	22.662.4
-Diaphragms, cmpl.	
-Valve plug, cmpl.	
-Valve seat	
-O-ring 52.07x2.62	

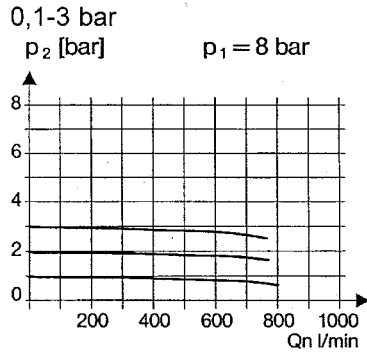
Dimensions [mm]



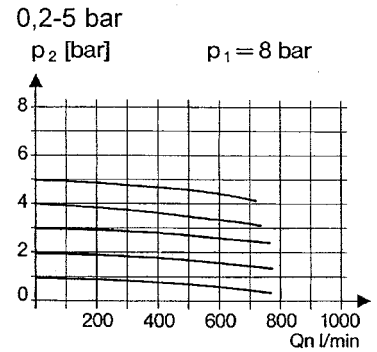
Flow characteristic



Flow characteristic



Flow characteristic



Hysteresis

Hysteresis of p_2 as a function of rising (falling) p_1 with a constant draw-off quantity

QN 20 l/min

Basic setting (starting point): p_1 : 7.0 bar
 p_2 : 2.0 bar

