



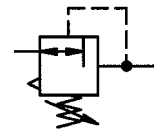
Pressure reducing valve

Non-self-relieving

200.01 to 200.08

G ¼ to G 2

1.5 to 8.0 bar



Characteristics

Pressure gauge port	G 1/4
Type of construction	Diaphragm pressure regulator with non-self-relieving design Special versions on request
Control range p_2	1.5 to 8.0 bar Max. reduction ratio: 10 : 1
Mounting position	Vertical (adjusting screw on top) Note direction of arrow
Max. input pressure p_1	25 bar
Mounting type	In-line
Temperature range	-15 to 100 °C

Ordering data

Order No.	Port G	DN	Set of seals
200.01	1/4	8	22.201.4
200.02	3/8	10	22.202.4
200.03	1/2	15	22.203.4
200.04	3/4	20	22.204.4
200.05	1	25	22.205.4
200.06	1¼	32	22.206.4
200.07	1½	40	22.207.4
200.08	2	50	22.208.4

Materials

Part	Material
Head piece (body)	Bronze, G-CuSn5ZnPb (Rg5) / 2.1096.01
Spring bonnet	Pressed brass up to DN 25 Grey cast iron from DN 32
Diaphragm	→ CR (braided)
Valve seat	Bronze
Pressure spring	→ Steel
Counter-pressure spring	Steel
Seals	→ NBR

Accessories

Designation	Order No.
Pressure gauge Ø63	217-KD

Description

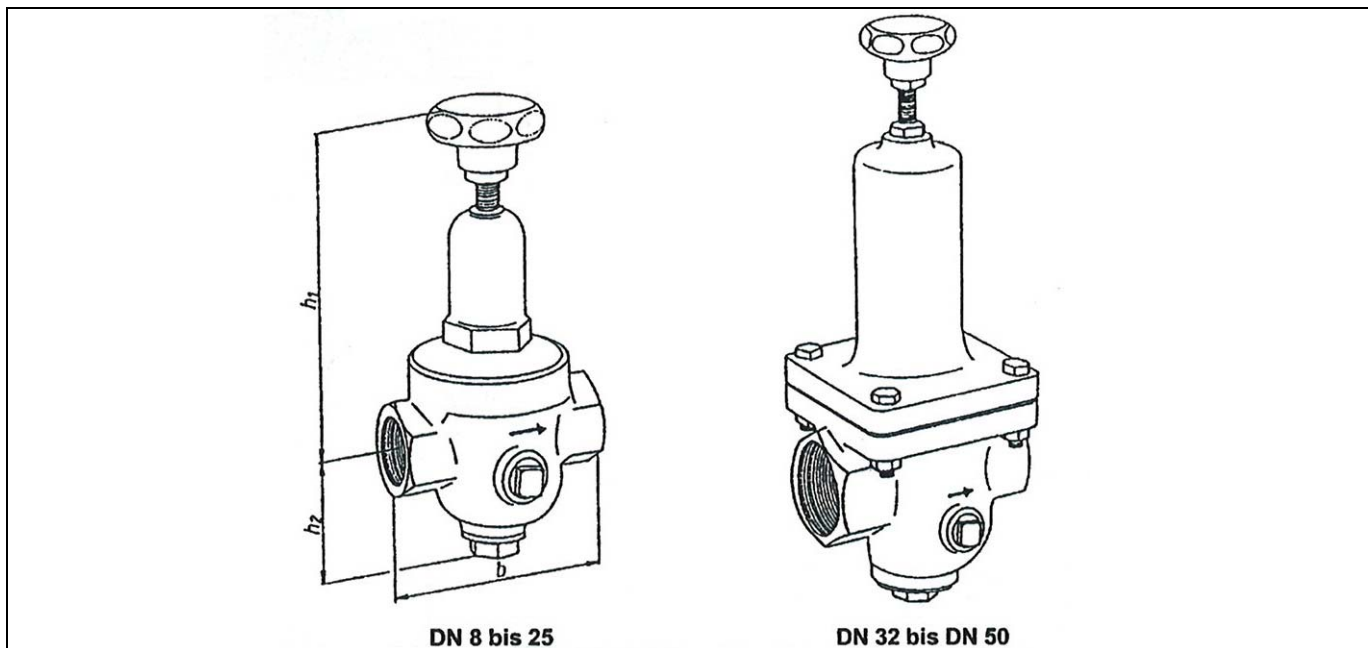
- Non-pressure-reduced single-seated valve
- Secondary pressure steplessly adjustable
- Both ends screwed acc. to DIN ISO 228
- Very precise adjustment and good response because there are only a few moving parts and therefore minimal friction
- Pressure gauge Ø63 included

Applications

- Pressure reduction for compressed air, gaseous nitrogen, other neutral, non-flammable gases, water and other neutral, non-sticky liquids.
Not suitable for steam!

Only suitable for liquids with comparatively low flow rates.

Pressure reducing valves for higher flow rates on request.

Dimensions [mm]


Type	200							
Art. No.	200.01	200.02	200.03	200.04	200.05	200.06	200.07	200.08
DN	8	10	15	20	25	32	40	50
Port G	1/4	3/8	1/2	3/4	1	1¼	1½	2
Dimensions [mm]								
h1	120.0	121.0	142.0	143.0	186.0	262.0	262.0	306.0
h2	47.0	47.0	46.5	46.5	56.0	61.0	61.0	70.0
w	70.0	70.0	85.0	85.0	95.0	104.0	108.0	146.5
Weight (incl. pressure gauge) [g]	950	930	1190	1190	1710	3570	3680	7100
kv value [m³/h]	0.38	0.46	0.92	1.0	1.23	3.23	3.46	5.53
kvs value [m³/h]	0.5	0.6	1.2	1.3	1.6	4.2	4.5	7.2

Flow rates

 Nominal flow of compressed air in [Nm³] ($\Delta p = 1 \text{ bar}$);

Min. pressure drop 1.5 bar

Output pressure $p_2 =$ [bar]		2	4	6	8	
Art. No.: 200.01		11	18	25	32	
200.02		17	28	39	50	
200.03		36	60	85	108	
200.04		66	110	155	200	
200.05		105	175	245	315	
200.06		155	260	365	470	
200.07		275	460	640	1000	
200.08		420	700	980	1550	