



678.41 K-HA



678.41-M

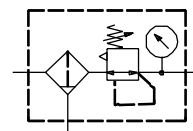
Filter regulators

-Standard-type
Design size 3

678.41

G 1/2
5 µm

0.5 – 10 bar
0.5 – 16 bar



Characteristics

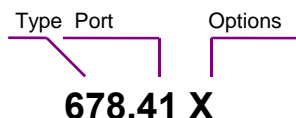
Type	678.41
Port	G 1/2
Pressure gauge port	G 1/4
Type of construction	Diaphragm pressure regulator with self-relieving design Centrifugal filter Sintered filter element Special versions on request
Input pressure p ₁	Max. 16 bar with plastic bowl Max. 25 bar with metal bowl
Input pressure p ₁ with fully-automatic drain	max. 16 bar min. 1.5 bar
Control range p ₂	0.5 to 10 bar / 16 bar (standard) 0.5 to 3 bar / 6 bar on request
Mounting position	Vertical, drain plug at bottom
Mounting type	Bracket
Medium temperature Ambient temperature	-10 to 60 °C (other temperature -10 to 60 °C ranges on request)
Filter rating	5 µm
Bowl capacity	max. 65 cm ³ condensate
Condensate drain	Manual, semi-automatic Fully-automatic on request
Weight [g]	1680 / 1820 with gauge

Materials

Part	Material
Head piece (body)	Z 410
Spring bonnet	Z 410-brass
Diaphragm ●	NBR-braSS
Pressure spring	Galvanised steel
Valve cone ●	NBR-Brass
Counter-pressure spring	Stainless steel
O-ring 68 x 3 ●	NBR
Filter element 5 µm	Polyethylene
Condensate bowl	Polycarbonate
Baffle	PA

● → Content of the spare part kit

Ordering information



Port	
41	G 1/2
Options	
K-HA	Plastic bowl
M	Metal bowl
S	Bowl guard

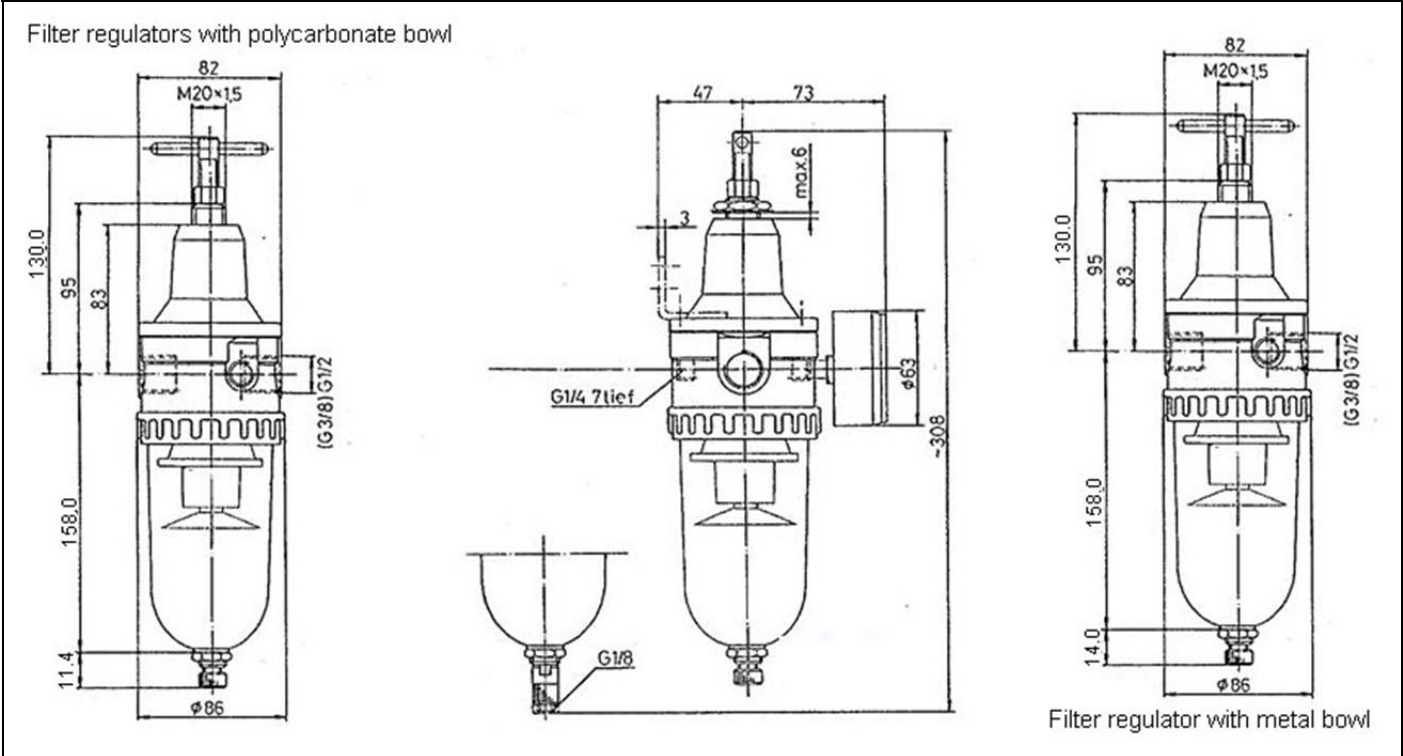
Description

- Standard design
- Pressure setting can be locked with lock nut on adjusting screw
- Flow direction indicated by arrows, - **Entry in direction of arrow**
- **Independent of inlet pressure**
- Pressure gauge Ø 63 mm included
- Pressure gauge can be mounted at both ends
- Filter rating acc. to ISO 4003
- Bowl guard can be retrofitted

Standards and directives

98/37/EG	Extent of validity: §3, passage 3 No marking (according to attachment II, Diagram 2 true for § 3, passage 3)
94/9/EG (ATEX)	Zone 2 (gas-Ex, class 3G), explosion-class IIA and IIB Zone 22 (dust Ex, class 3D), explosive dust with a minimum ignition energy-> 3mJ Zone 1 (gas-Ex, class 2G), explosion-class IIA and IIB Zone 21 (dust Ex, class 2D), explosive dust with a minimum ignition energy-> 3mJ Temperature class T4

Dimensions [mm]



Main spare parts

Parts	Part-№
<ul style="list-style-type: none"> ➔ Set of wearing parts - Diaphragm - Valve cone - O-Ring 68 x 3 	22.641.4
Pressure gauge Ø 63 mm, G 1/4	
0 - 4 bar	215-KD
0 - 6 bar	216-KD
0 - 10 bar	217-KD
0 - 16 bar	218-KD

Flow data

Flow rates

Inlet pressure $p_1 = 8 \text{ bar}$

Output pressure p_2	6	
Nominal flow ($\Delta p = 1 \text{ bar}$)	QN m ³ /h	180
	l/min	3000

Hysteresis

Hysteresis of p_2 as a function of rising (falling) p_1 at a constant draw-off rate QN 20 l/min
 Basic setting (starting point): $p_1: 7.0 \text{ bar}$
 $p_2: 2.0 \text{ bar}$

Flow characteristic

