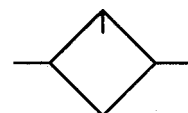




## Oil-mist lubricator

Size 1

**L 11**  
G 1/4

**L 12**  
G 3/8


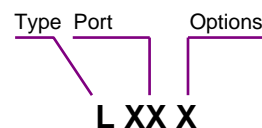
### Characteristics

Type		L 11	L 12
Port		G 1/4	G 3/8
Type of construction	Proportional lubricator		
Input pressure p1	Max. 16 bar with plastic bowl Max. 20 bar with metal bowl		
Mounting position	Vertical		
Mounting type	Bracket and two through holes		
Medium temperature	-10 to 60 °C (other temperature		
Ambient temperature	-10 to 60 °C ranges on request)		
Bowl capacity	Max. 50 cm <sup>3</sup>		
Drip rate at qv = 1000 l/min	1 to 2 drops/min (recommended value)		
Oil grade	HL 25 acc. to DIN 51524 - ISO VG 32		
Weight [g]	327		

### Materials

Part	Material
Head piece (body)	Z 410
O-ring 30 x 2	NBR
Fill plug	POM-NBR
Sight dome	PA
Sight dome - metal	Zinc-glass-NBR
Oil bowl	Polycarbonate
Oil bowl with sight glass	Zinc-glass-NBR

### Ordering information


**Order example: L 11 K**

Port	
11	G 1/4
12	G 3/8
Options	
K	Plastic bowl
M-SR	Metal bowl with sight glass
S	Bowl guard

### Description

- Block design
- Simple block mounting with other devices using conical clamps and half threads
- Joiner sets (**KP 11**) required for block mounting
- Flow direction indicated by arrows
- **Entry in direction of arrow**
- Oil can be refilled under pressure
- Bowl guard can be retrofitted without tools

### Recommended oil

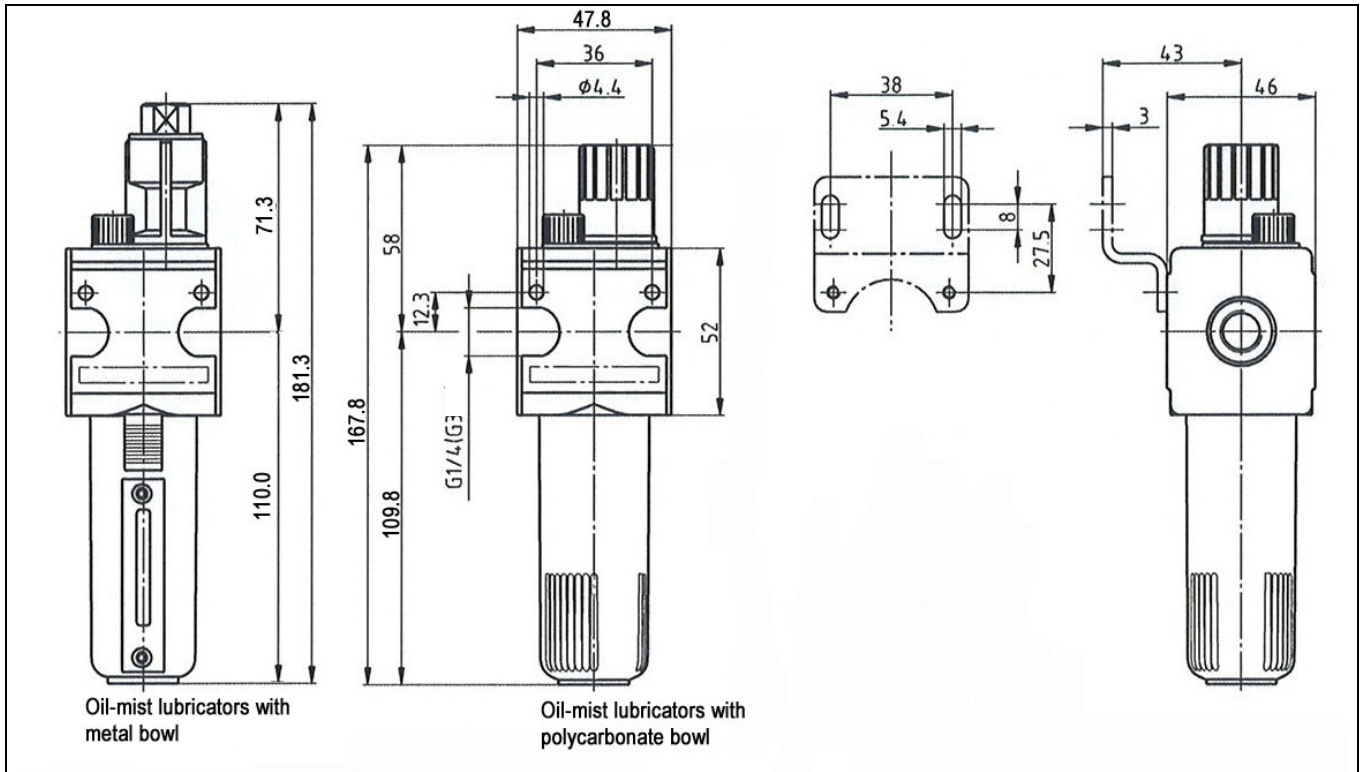
#### Special pneumatic oil 32

 Viscosity at 40°C: 32 cSt [mm<sup>2</sup>/s]  
 Temperature range: -35 to +85°C

Oil bowls made of plastic (polycarbonate) are corroded by additives, anti-freeze agents and synthetic oils. We therefore recommend using mineral oils from approx. 22 to 32 cSt or up to 68 cSt in conjunction with impact tools.

Metal bowls and metal sight domes should be used for all other oil grades as well as anti-freeze agents.

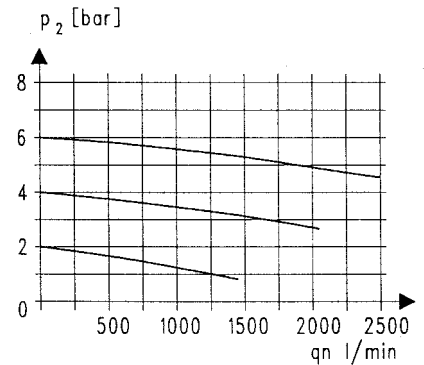
## Dimensions [mm]



## Flow rates

Output pressure $p_2$ [bar]		<b>6</b>
Nominal flow ( $\Delta p = 1$ bar)	QN $\text{m}^3/\text{h}$ l/min	<b>114</b> <b>1900</b>

## Flow characteristic



## Accessories

Designation	Order No.
Mounting bracket with 2 screws, compl.	ZW 11
Joiner set(s) for block mounting with other devices	
Joiner set for narrow diverter block	KP 11
Bowl guard	KP 11 Z
Metal bowl with sight glass	SK 11
Polycarbonate bowl	MS 11 NS KS 11 N

## Main spare parts

Part	Part No.
Sight dome (polycarbonate)	1233.7.990
Sight dome (metal)	1233.7.909

## Lubricator operating limit

