



Service unit 2-piece

Size 0

CL 05
G 1/8

CL 06
G 1/4

0.5 to 10 bar



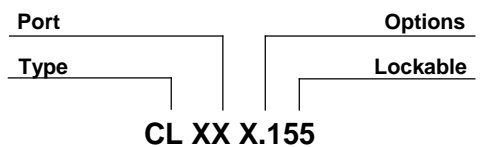
Characteristics

Type	CL 05	CL 06
Port	G 1/8	G 1/4
Pressure gauge port	G 1/8	
Type of construction	- Diaphragm pressure regulator with self-relieving design - Centrifugal filter - Sintered filter element - Micro oil-mist lubricator	
Input pressure p ₁	12 bar with plastic bowl and metal bowl	
Input pressure p ₁ with automatic drain	Min. 1.5 bar Max. 10 bar	
Control range p ₂	0.5 to 10 bar (standard) Other ranges on request	
Mounting position	Vertical, drain plug at bottom	
Mounting type	Bracket on regulator, hole Ø30.5 Bracket (kit)	
Medium temperature Ambient temperature	-10 to 60 °C (other temperature -10 to 60 °C ranges on request)	
Filter rating	5 µm	
Bowl capacity	Filter: Max. 16 cm ³ condensate Oil-mist lubricator: 35 cm ³	
Condensate drain	Semi-automatic (standard, HA 4) Manual and fully automatic on request	
Weight [g]	585	

Materials

Part	Material
Head piece (body)	Z 410
Spring bonnet	POM-brass
Diaphragm →	NBR-brass
Pressure spring	Galvanised steel
Valve cone →	NBR-brass
Counter-pressure spring	Stainless steel
O-ring 30 x 2 →	NBR
Filter element 5 µm	Polyethylene (sintered)
Condensate bowl	Polycarbonate
Air deflector	POM
Cone guide	PA
Oil bowl	Polycarbonate
Joiner set	Polycarbonate-NBR
Sight dome	PA
Sight dome - metal	Zinc-glass-NBR

Ordering information


Order example: CL 05 K-HA

 Please use the suffix »A« to order
automatic drain

Port	
05	G 1/8
06	G 1/4
Options	
K-HA	Plastic bowl
M	Metal bowl

Description

- Simple block mounting with other devices using conical clamps
- Joiner sets (**KP 05**) required for block mounting
- Pressure setting can be locked by pushing the knob down
- **Independent of inlet pressure**
- Pressure gauge Ø40 included
- Lockable adjusting knob (**on request**)
- Filter rating acc. to ISO 4003
- Bowl must be dismantled to fill with oil
- Bowl guard cannot be fitted

Recommended oil

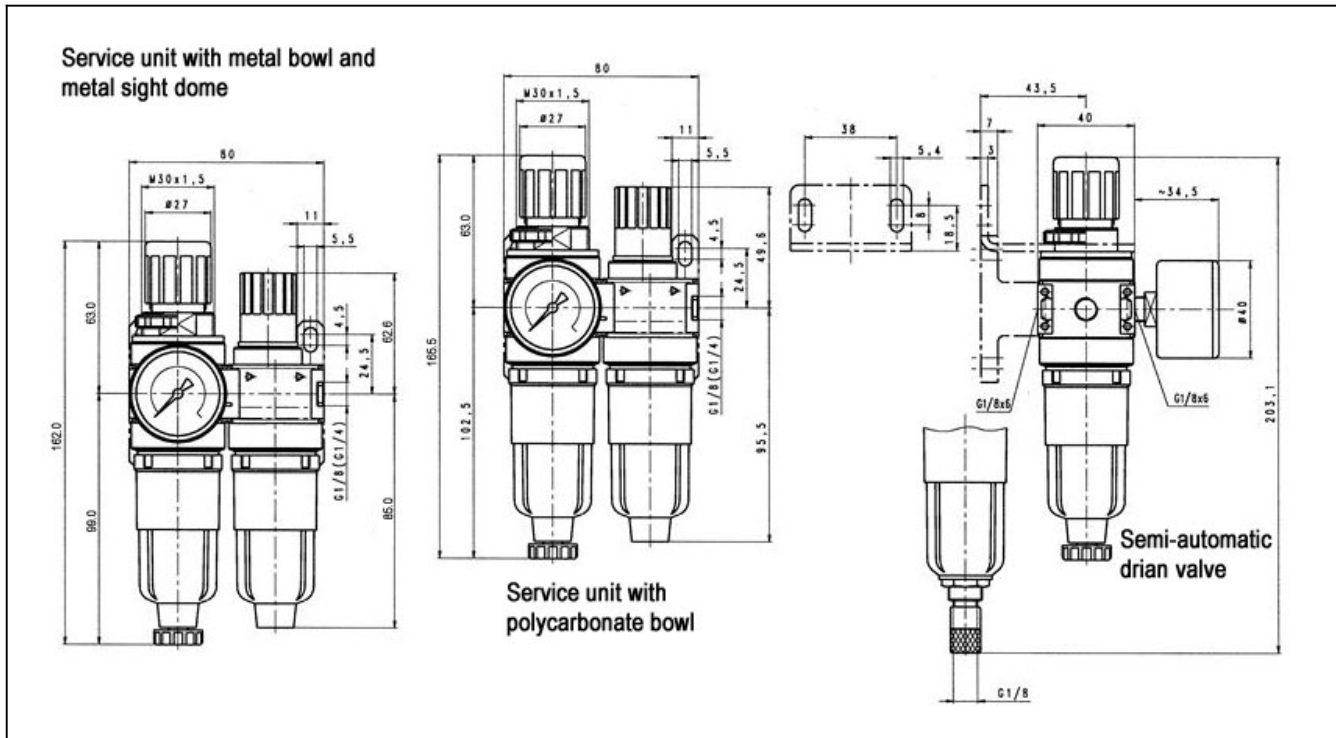
Special pneumatic oil 32

 Viscosity at 40 °C: 32 cSt [mm²/s]
Temperature range: -35 °C to +85 °C

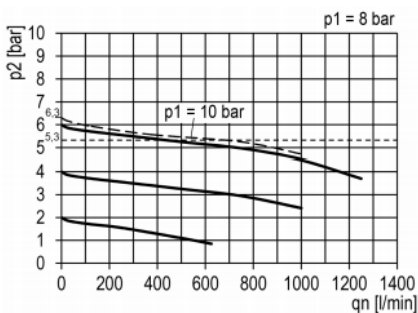
Oil bowls made of plastic (polycarbonate) are corroded by additives, anti-freeze agents and synthetic oils. We therefore recommend using mineral oils from approx. 22 to 32 cSt or up to 68 cSt in conjunction with impact tools.

Metal bowls and metal sight domes should be used for all other oil grades as well as anti-freeze agents.

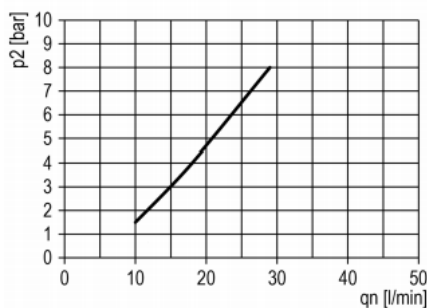
Dimensions [mm]



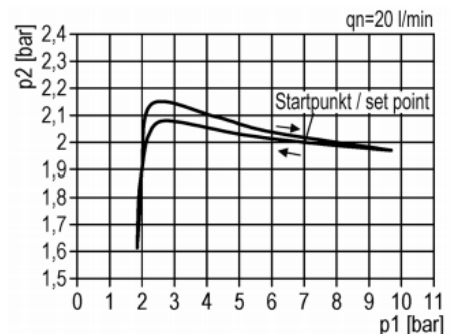
Flow characteristic



Lubricator operating limit



Hysteresis



Flow rates

Flow rates at $p_1 = 10 \text{ bar}$

Output pressure $p_2 = [\text{bar}]$		6.3
Nominal flow ($\Delta p = 1 \text{ bar}$)	QN l/min	700

Accessories

Designation	Article No.	Ident No.
Mounting bracket with nut R 11-55	MV 30	100344
Mounting bracket (kit)	ZW 05	100367
Joiner set	KP 05	100346
Metal bowl (filter)	640/11	100358
Metal bowl (lubricator)	740/11	100391
Polycarbonate bowl (filter)	640/1-HA	100357
Polycarbonate bowl (lubricator)	740/01	100383
Automatic drain (plastic bowl)	KS 11 F-A	100361
Metal bowl with fully automatic drain valve	640/11-A	100360
Metal bowl with semi-automatic drain valve	641/11-HA	100359
Automatic drain valve	655.6.900	100362

Main spare parts

Part	Article No.	Ident No.
→ Set of wearing parts	22.1805.4	100347
Filter element 5 μm	1233.7.990	100392
Sight dome	1233.7.909	100393
Sight dome, metal	611.6.905	100134
Pr. gauge $\varnothing 40$, G 1/8		
0 to 10 bar	110.46-KD	101672
0 to 16 bar	110.47-KD	101534

Art. No.	Type No.
100394	CL 05 K-HA
100395	CL 06 K-HA
100396	CL 05 M
100397	CL 06 M