



»G-mini« Series

GK 05, GK 06

Symbol



Product features

- Rotary switch can be turned 90°, lockable.
- The valve is used to switch off the air supply and is normally installed upstream of a pressure regulator, filter regulator or service unit.
- When the valve is closed, the residual air on the P2 side is discharged into the atmosphere through the relief port on the bottom.

Specifications / Technical data

| Art. No. | Size 200 | |
|---|--|-------|
| | GK 05 | GK 06 |
| Fluid | Air | |
| Port size | 1/8" | 1/4" |
| Exhaust port size | 1/4" | |
| Acting type | Manu | |
| Valve type | 3 port 2 way | |
| Pressure range | 0 to 9 bar (0 to 0.9 MPa, 0 to 130 psi) | |
| Proof pressure | 15 bar (1.5 MPa, 215 psi) | |
| Temperature range | -20 to 70 °C | |
| Operation angle | 90° | |
| Suitable F.R.L type | Suitable for all components of »G-mini« series | |
| Flow rate measurement at P1 = 8 bar, P2 = 6 bar and pressure drop $\Delta p = 1$ bar | 1750 L/min | |

Ordering information

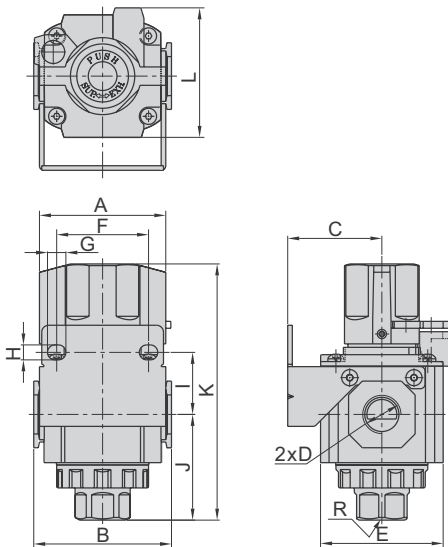
| Art. No. | Type |
|--------------|---|
| GK 05, GK 06 | 3/2-way shut-off valve, manually operated, 3/2-way with »HW« mounting bracket |

»G-mini« Series

GK 05, GK 06

Body dimensions

GK 05, GK 06

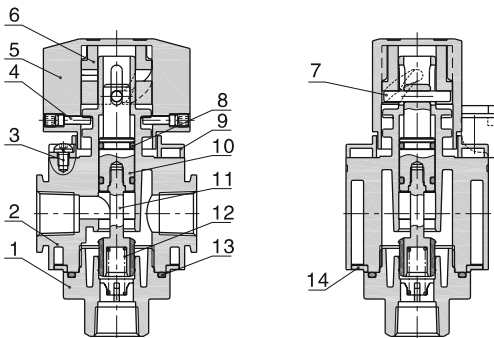


| Art. No. | A | B | C | D | E | F | G | H | I | J | K | L | R |
|----------|----|----|----|------|----|----|-----|-----|----|------|----|------|------|
| GK 05 | 42 | 47 | 30 | 1/8" | 40 | 27 | 8.5 | 5.5 | 23 | 36.5 | 89 | 42.5 | 1/4" |
| GK 06 | | | | 1/4" | | | | | | | | | |

(Values in mm, exception D, R = inch)





Components and materials

GK 05, GK 06



| No. | Item | Material |
|-----|-----------------|-----------------------|
| 1 | Valve cap | Aluminium alloy ADC10 |
| 2 | Body | Aluminium alloy ADC10 |
| 3 | Screw | Steel SCM435 |
| 4 | Operating screw | Steel S35C |
| 5 | Adjusting screw | POM |
| 6 | Special screw | PA66 |
| 7 | Fixing plate | Steel S35C |
| 8 | O-ring | NBR |
| 9 | Cover | POM |
| 10 | Spool | Steel |
| 11 | Plug | Brass + NBR |
| 12 | Spring | Stainless steel |
| 13 | O-ring | NBR |
| 14 | Cover | POM |

Accessories

| | Art. No. | Type |
|---|----------|--|
|  | UB 200 | Joiner without wall mounting |
|  | LB 200 | Joiner with wall mounting, 1 drilled hole |
|  | TB 200 | Joiner with wall mounting, 2 drilled holes |
|  | HW 201 | Mounting bracket, incl. 4 screws |